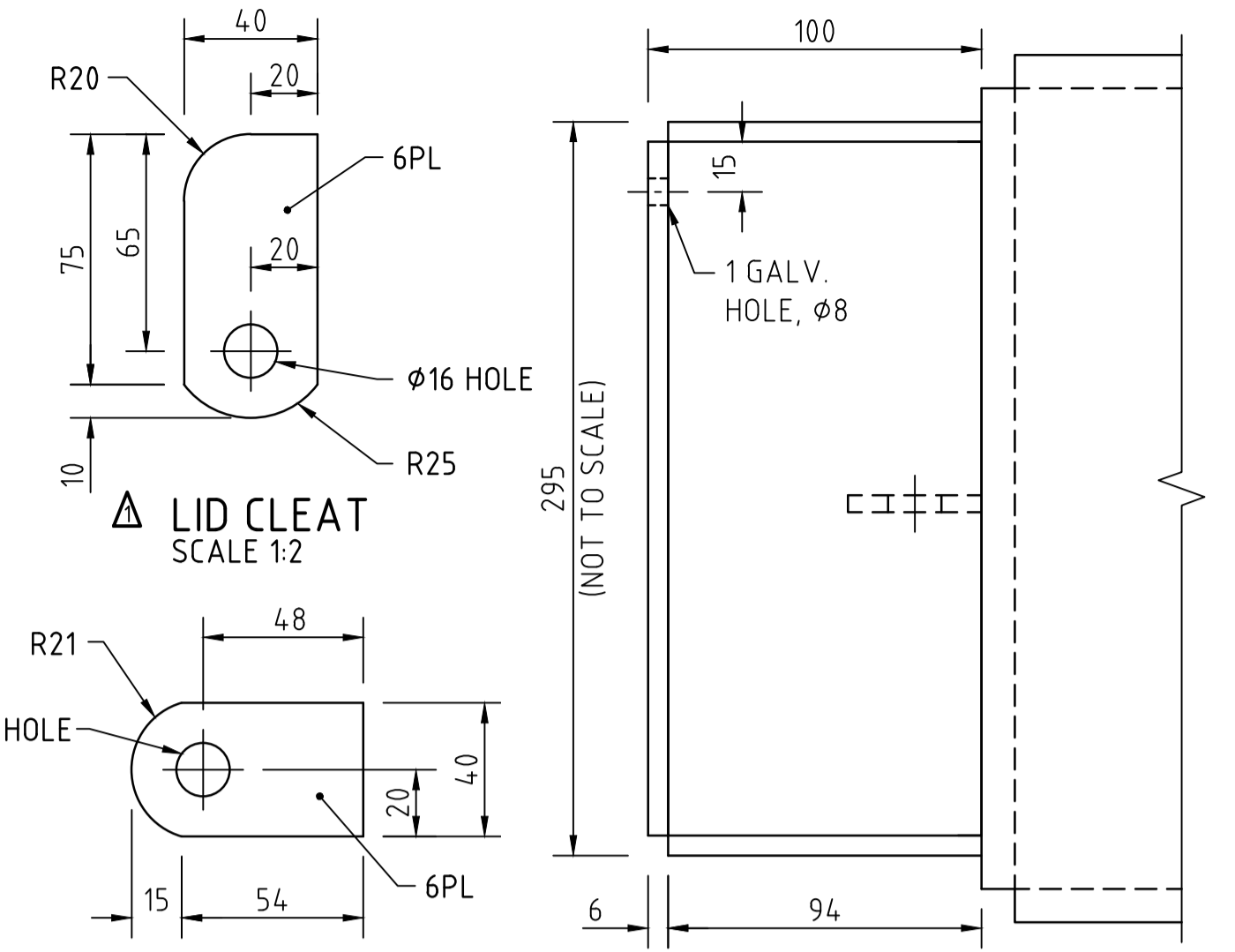
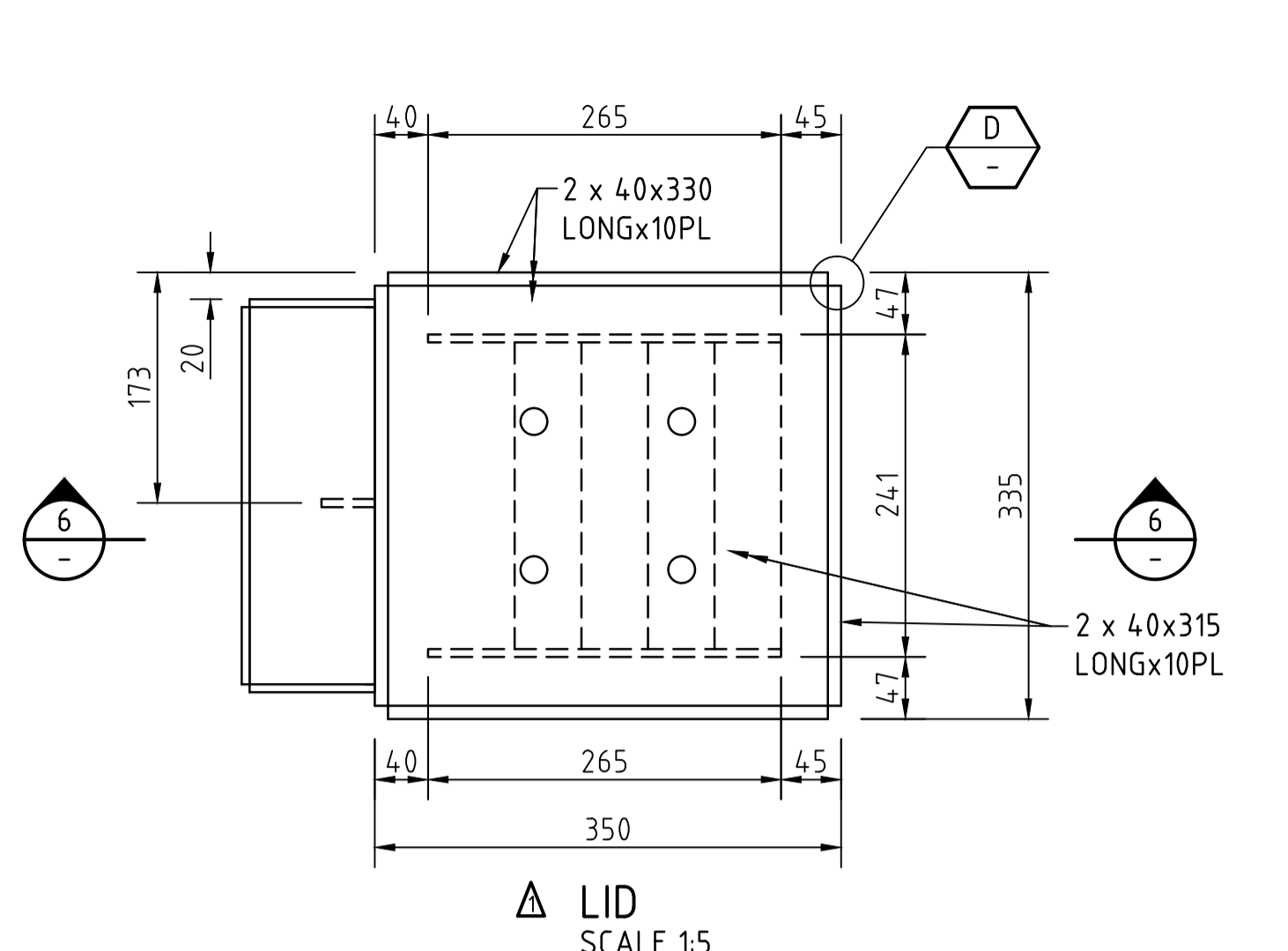


HINGE CLEAT
SCALE 1:2
2 REQUIRED

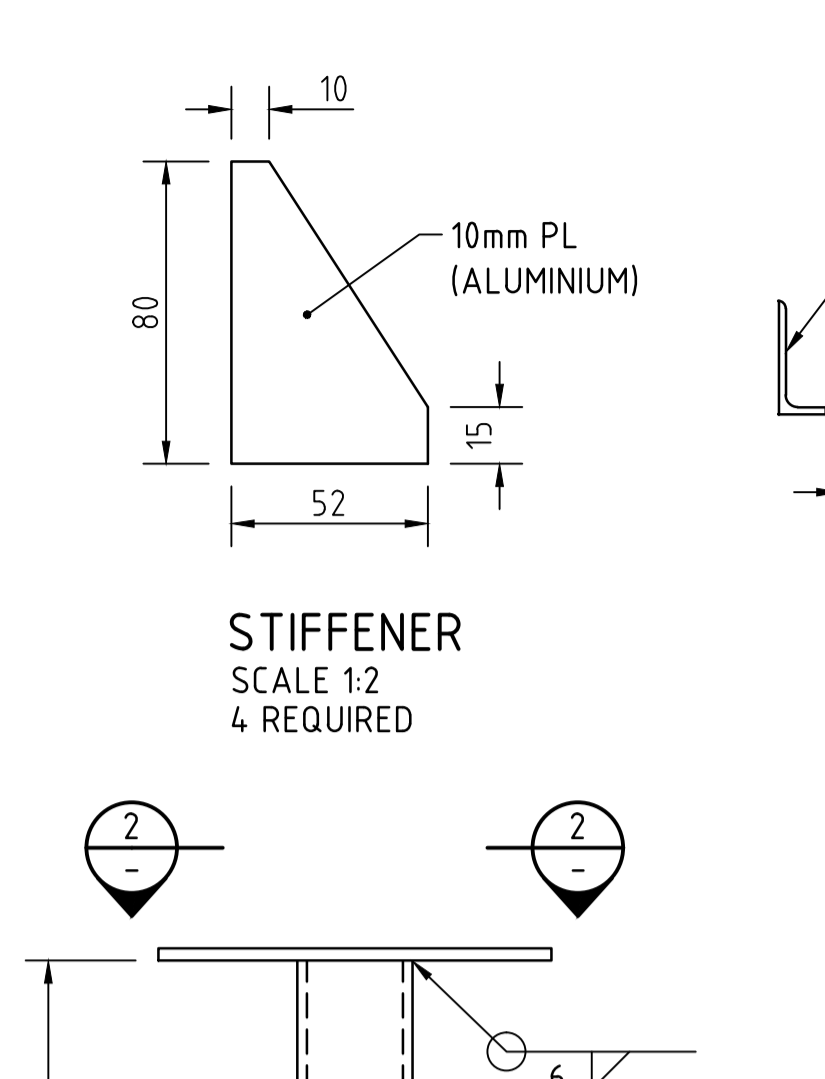


LID CLEAT
SCALE 1:2

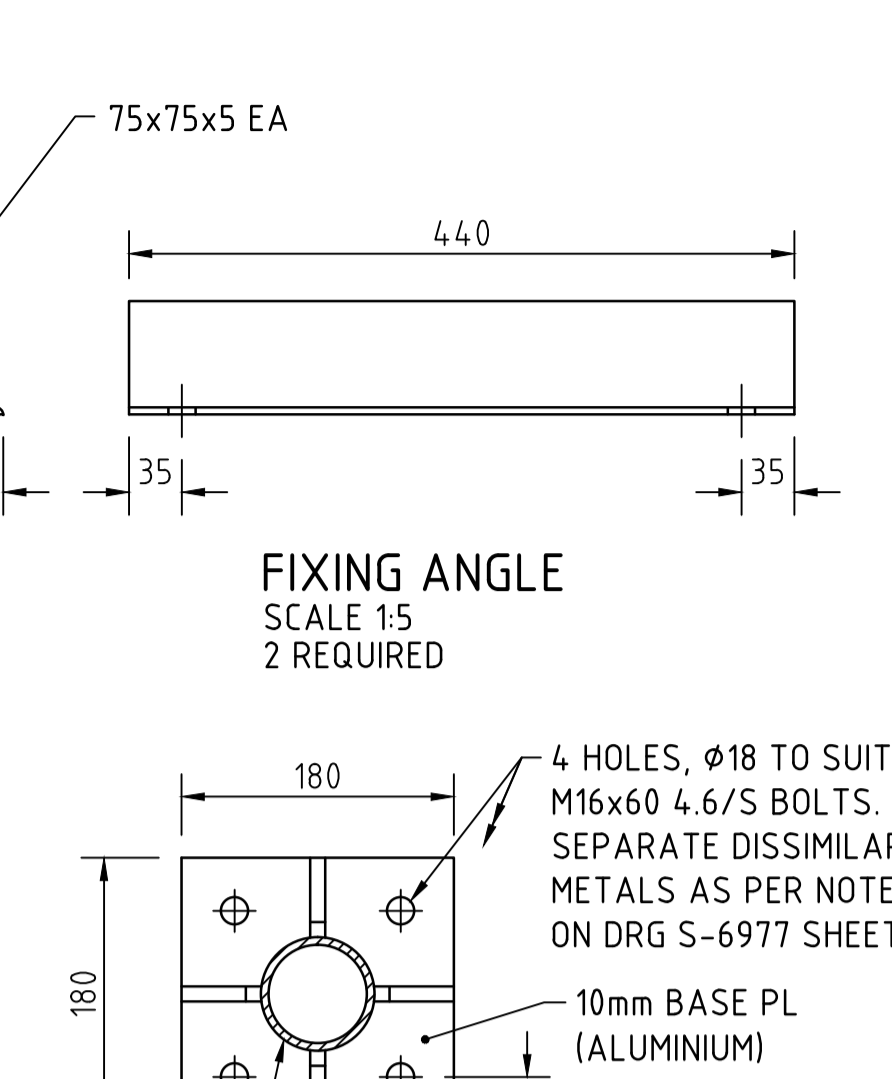
BOX CLEAT
SCALE 1:2



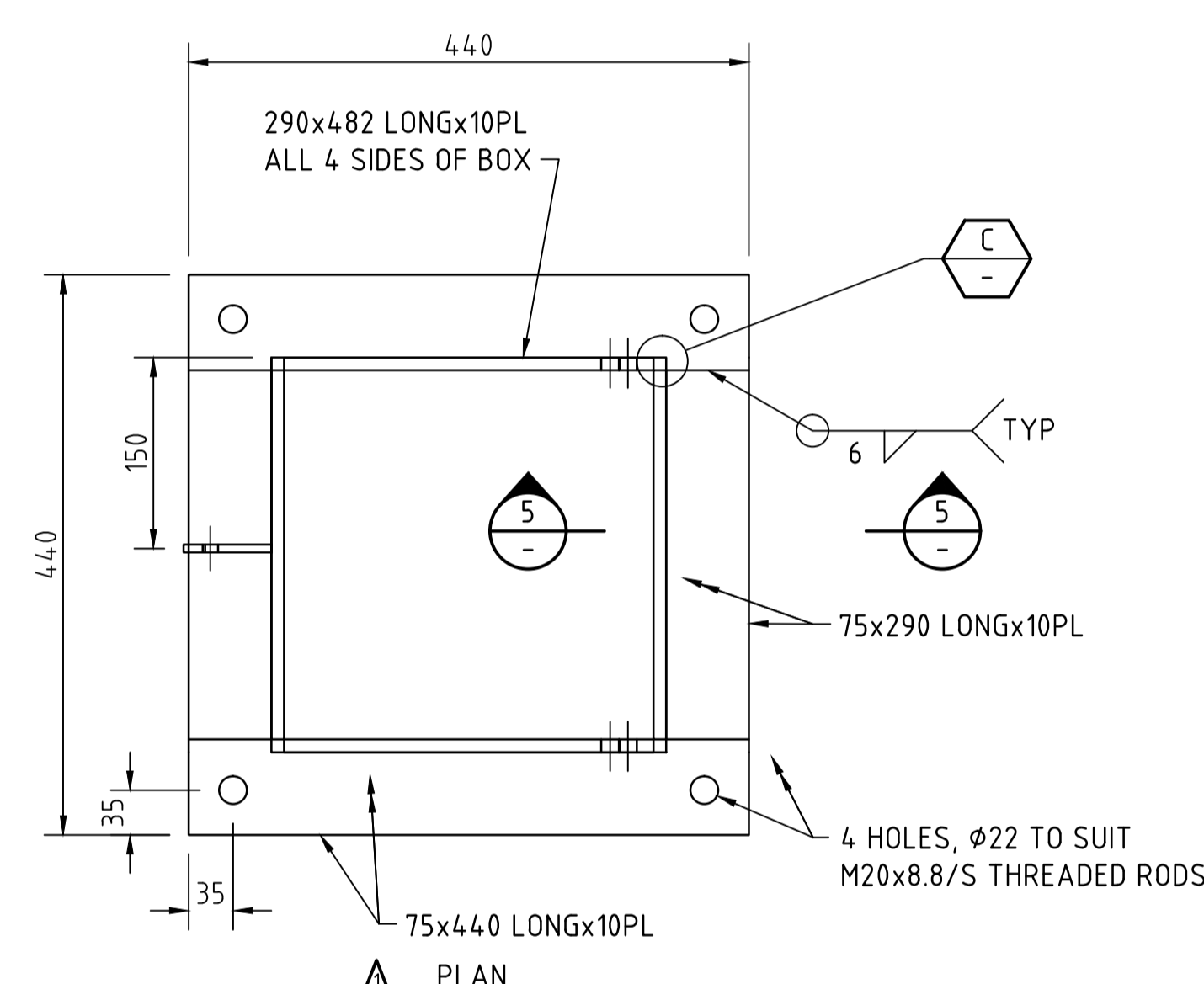
LID
SCALE 1:5



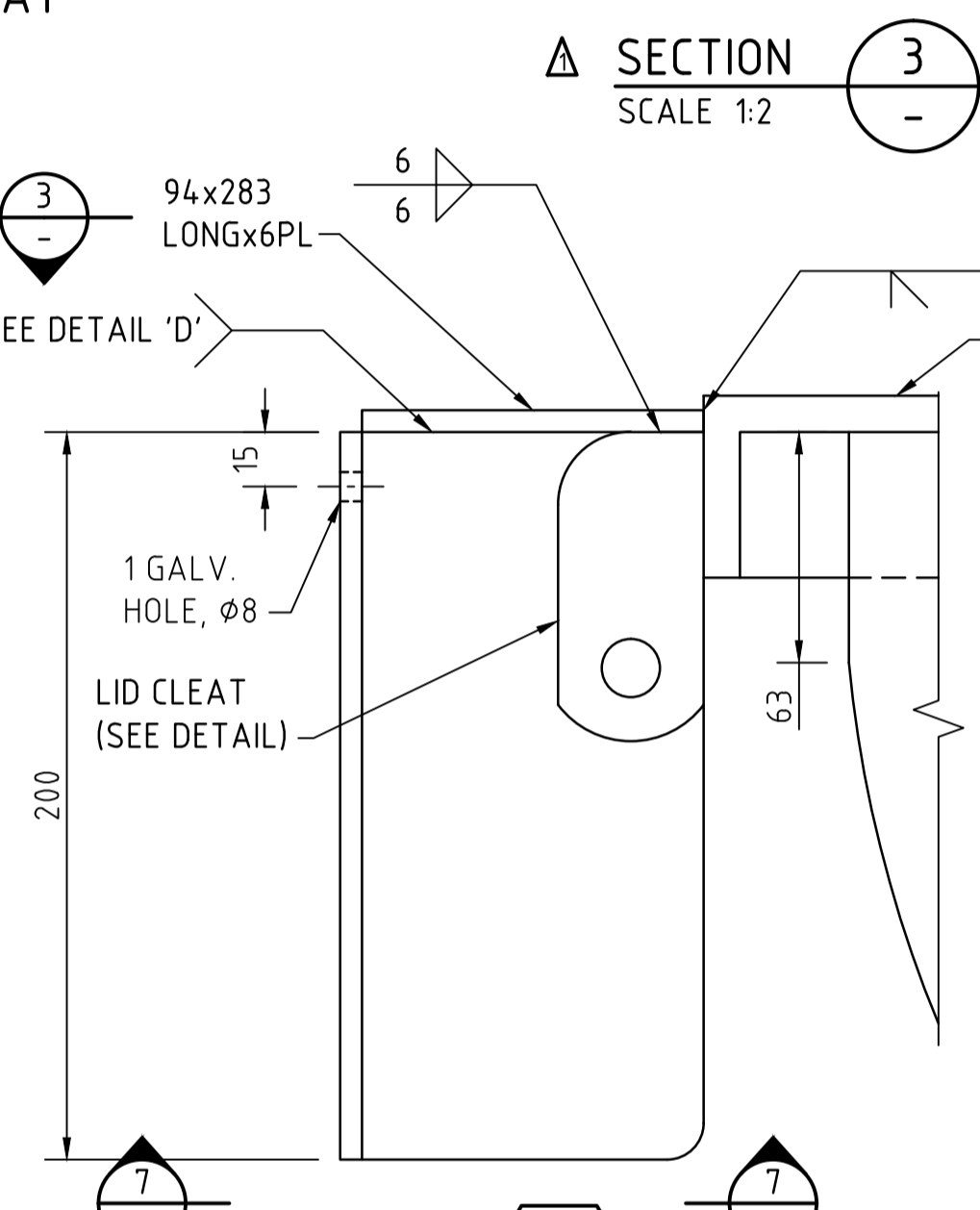
STIFFENER
SCALE 1:2
4 REQUIRED



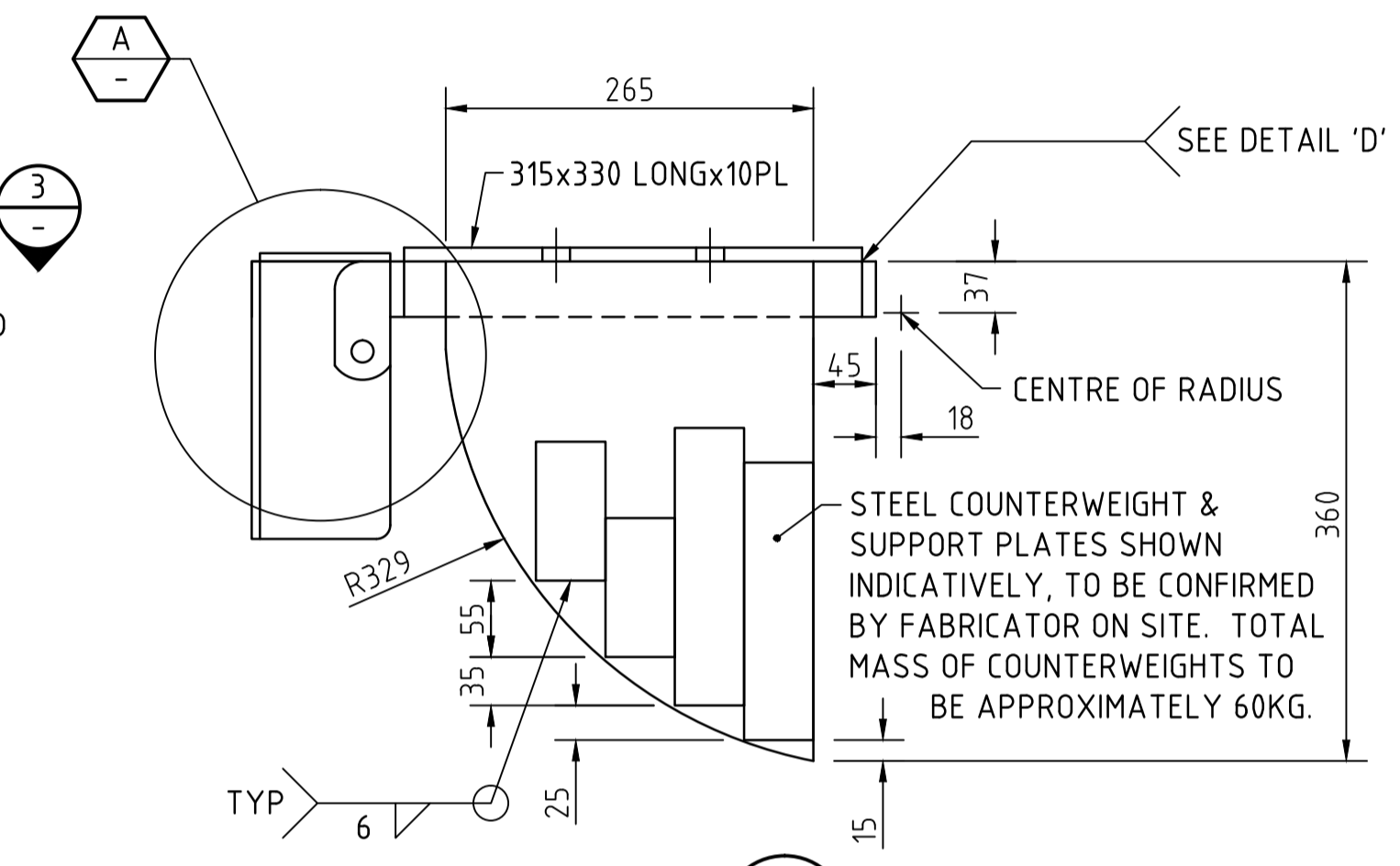
FIXING ANGLE
SCALE 1:5
2 REQUIRED



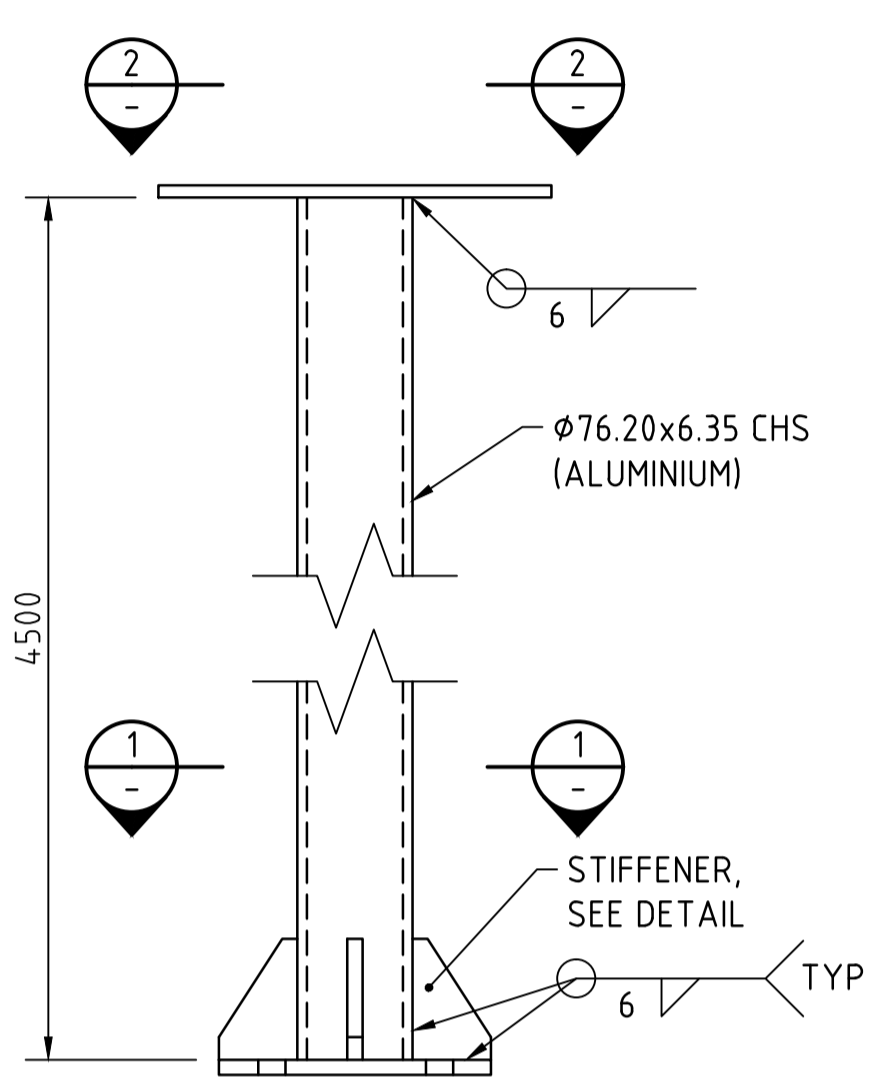
PLAN



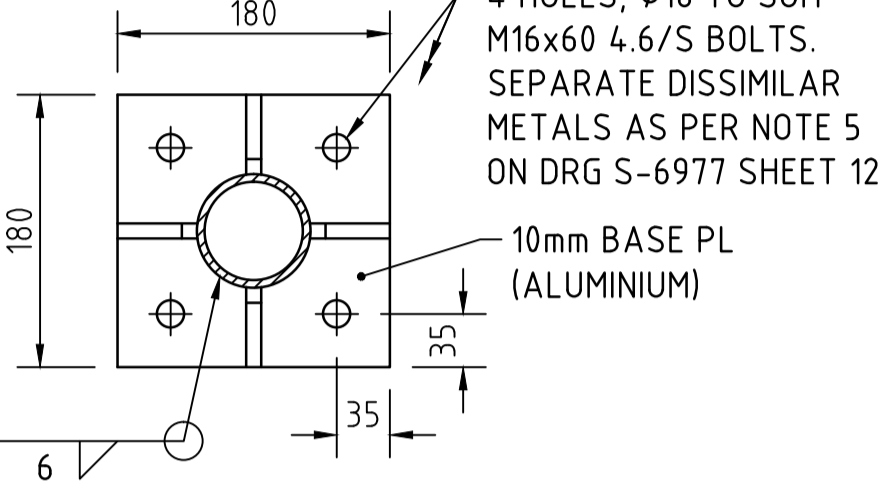
SECTION 3
SCALE 1:2



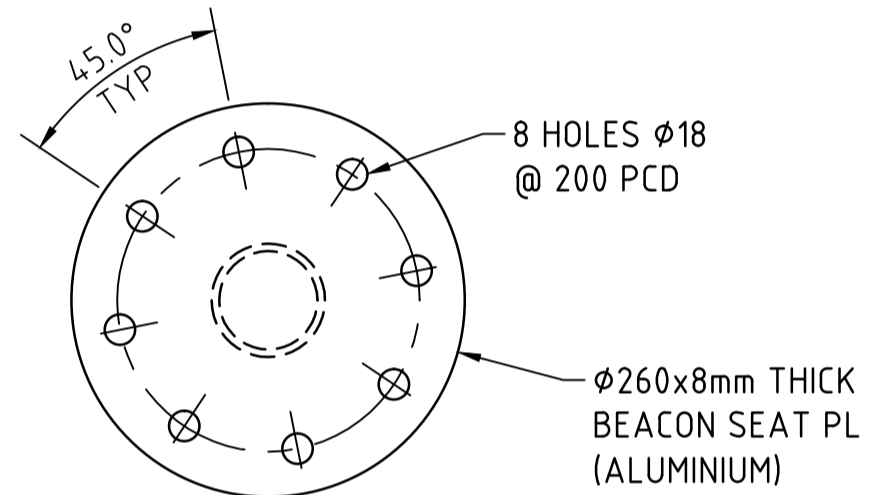
SECTION 6
SCALE 1:5



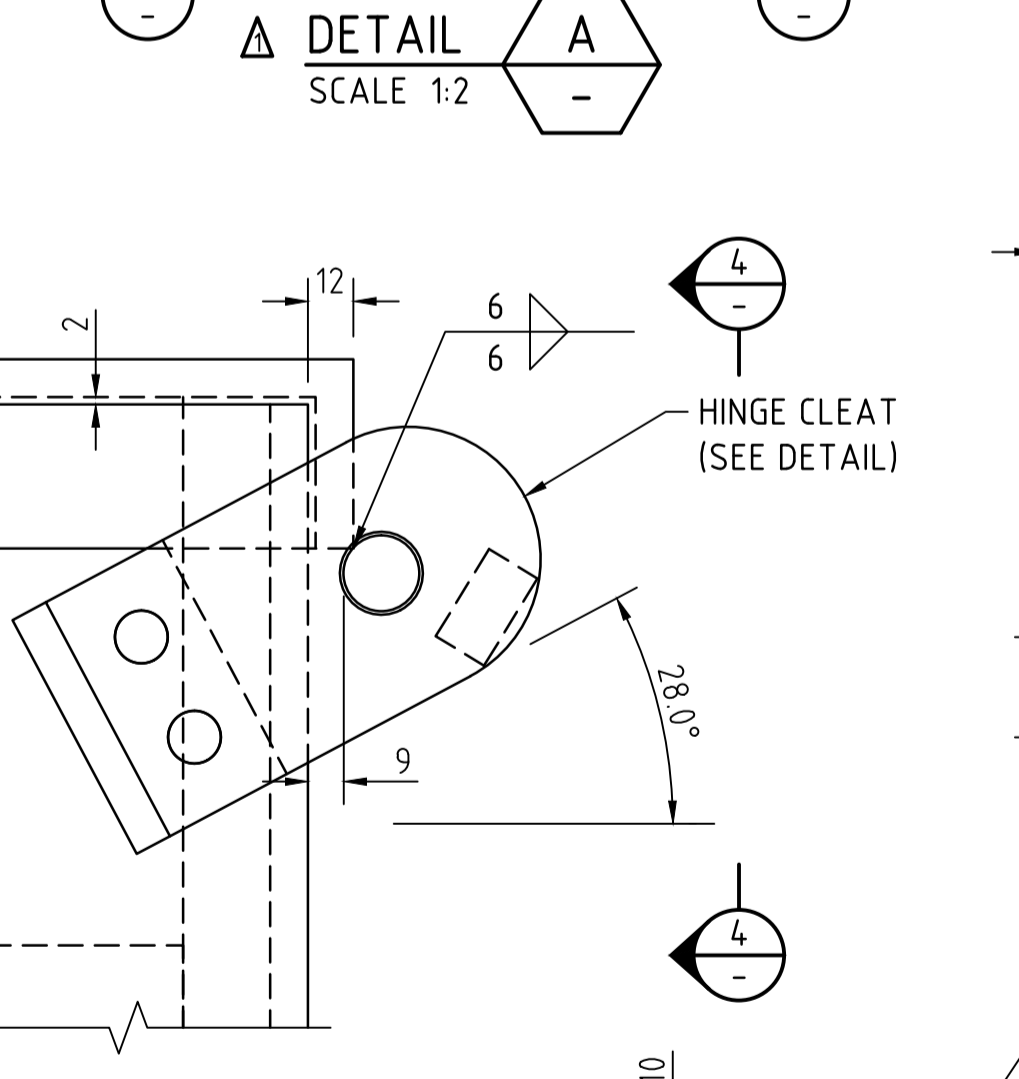
POLE ASSEMBLY DETAILS
SCALE 1:5



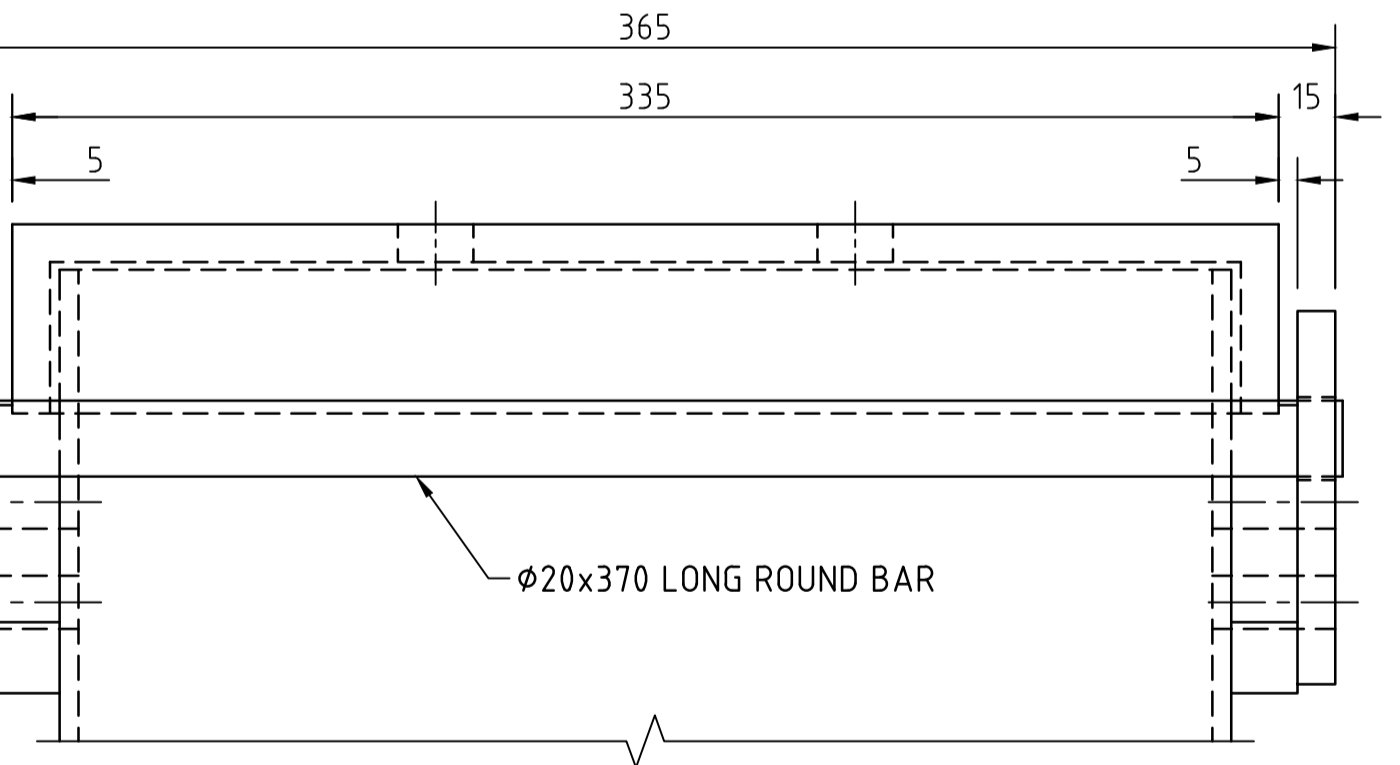
SECTION 1
SCALE 1:5



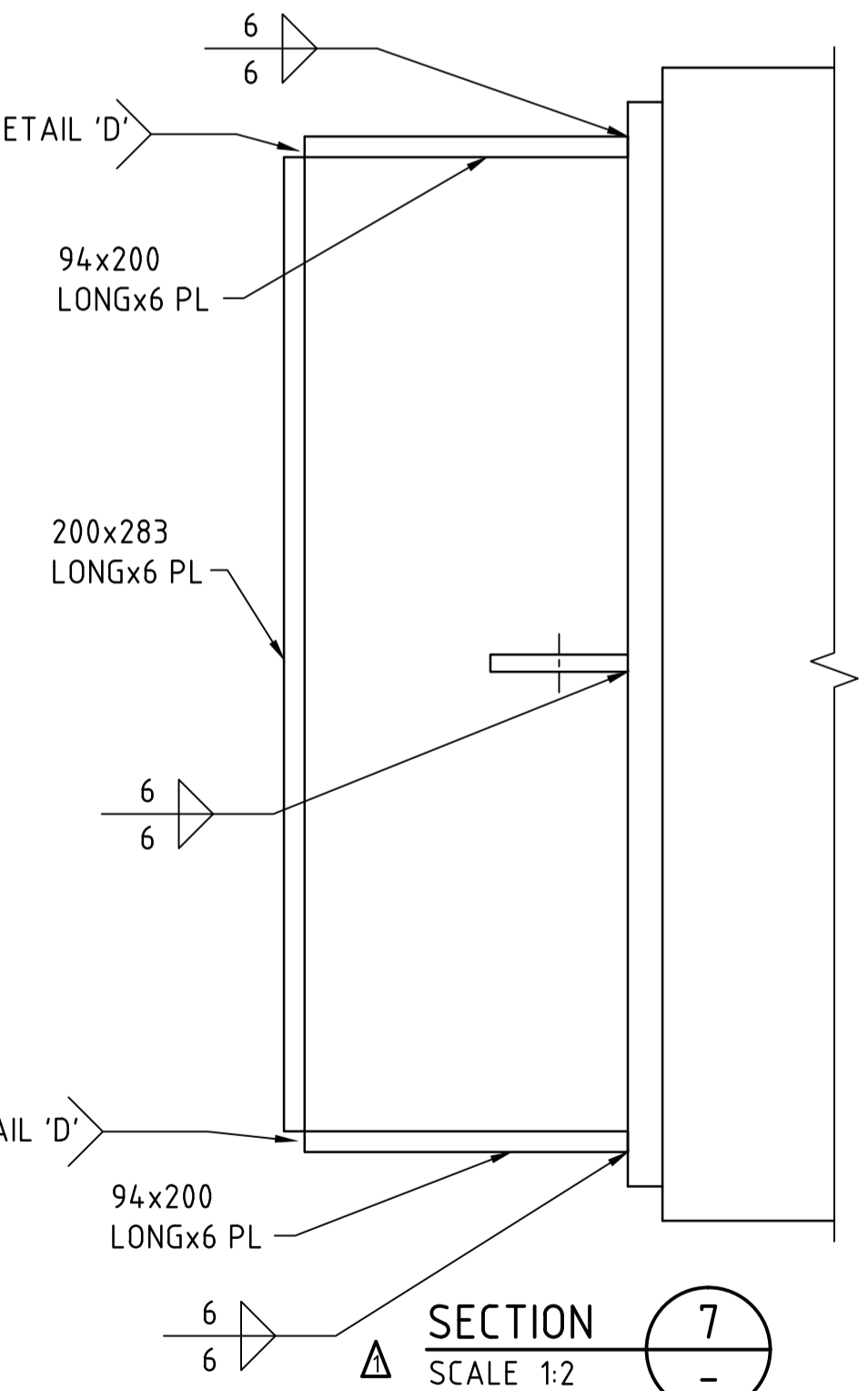
SECTION 2
SCALE 1:5



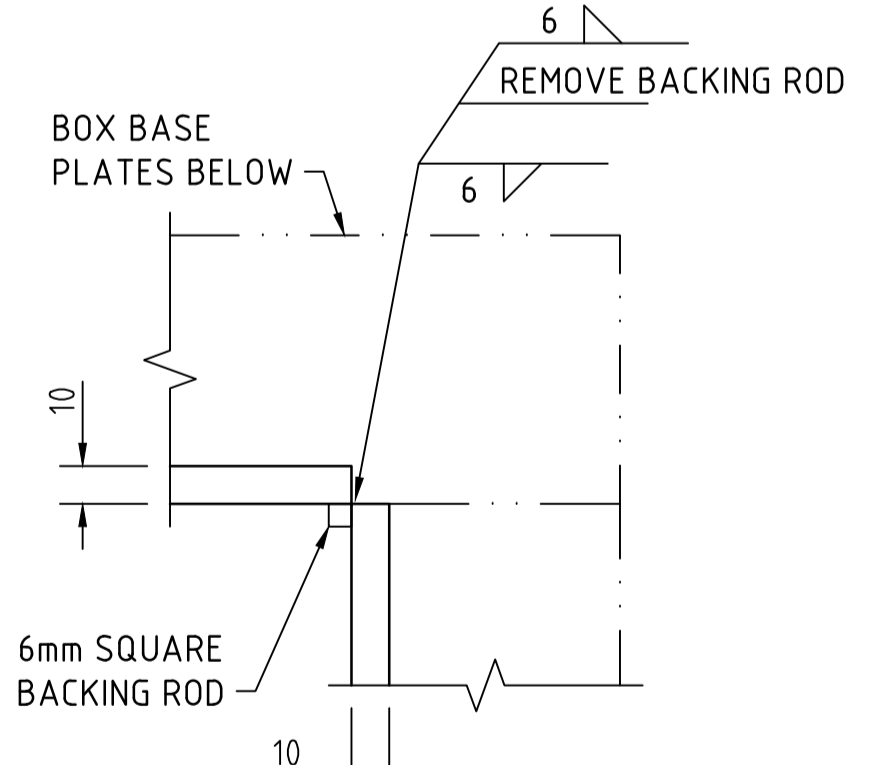
DETAIL A
SCALE 1:2



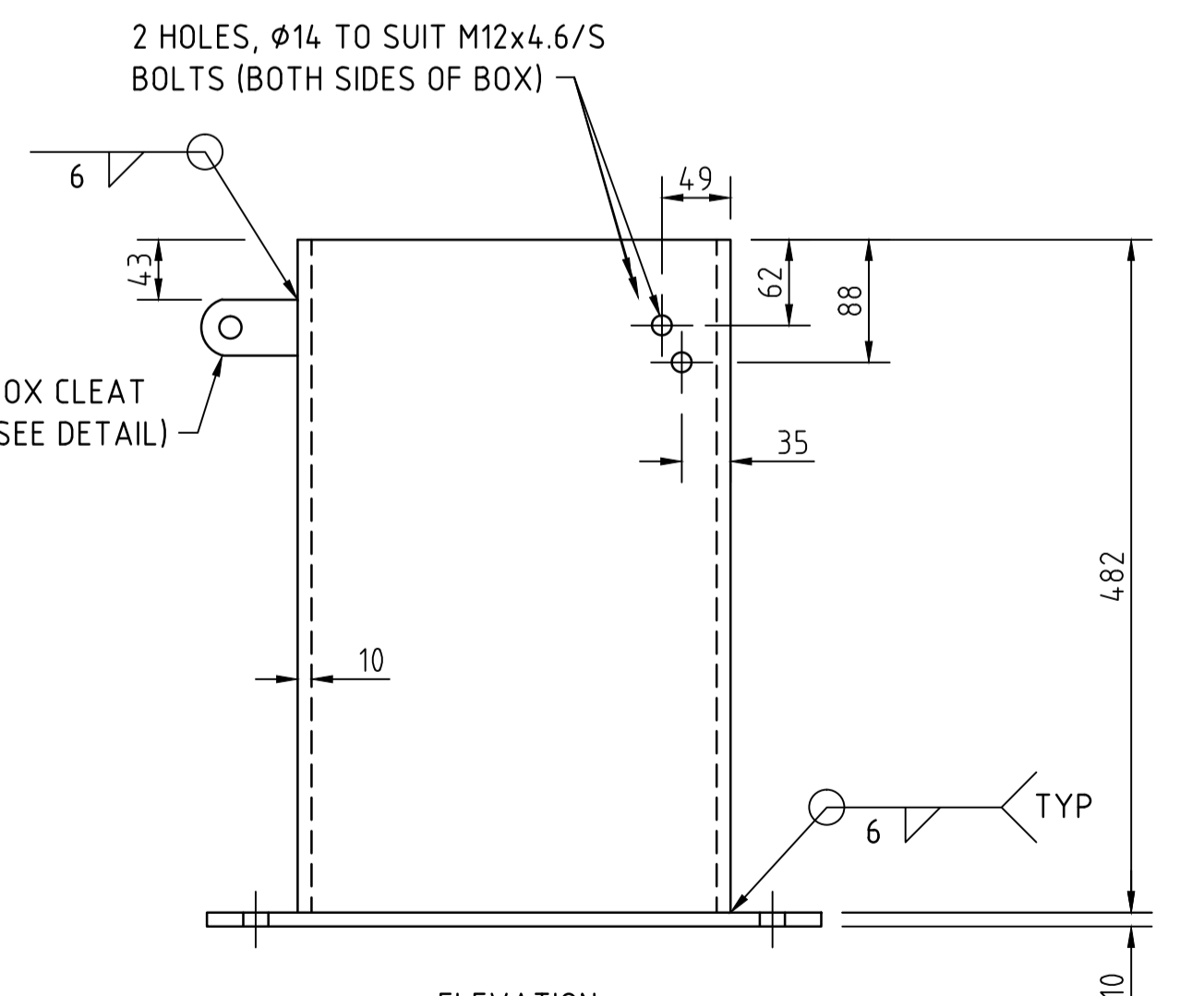
SECTION 4
SCALE 1:2



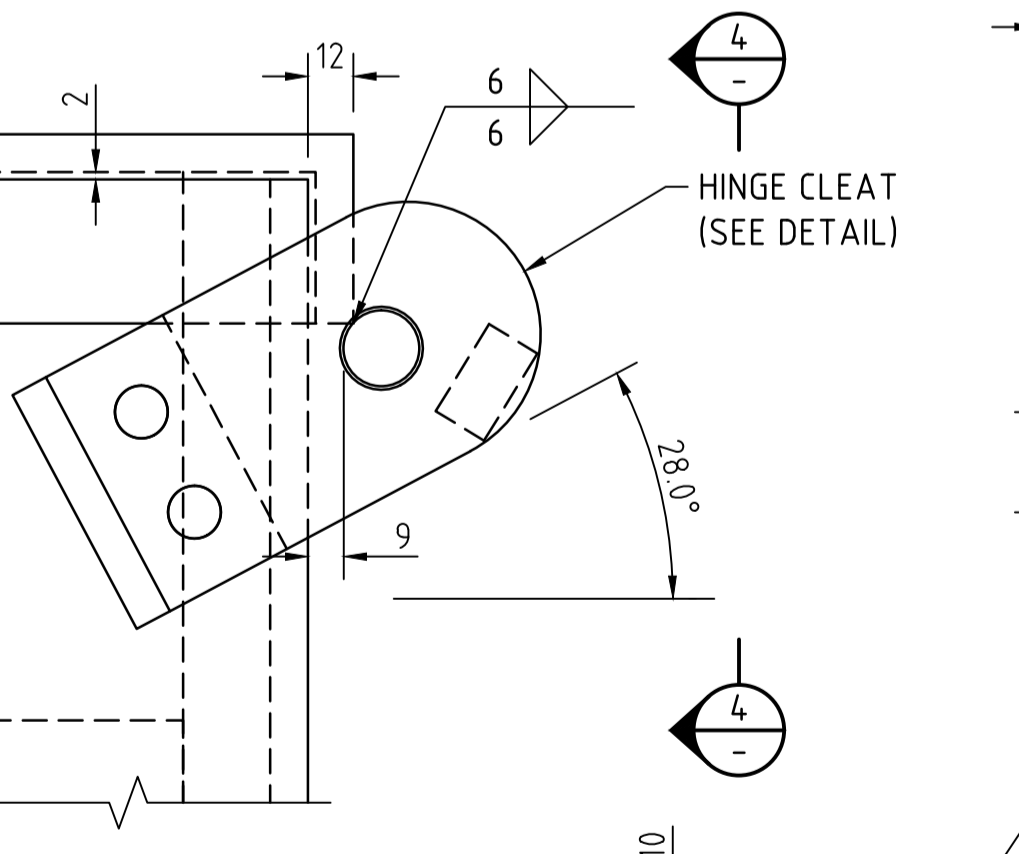
SECTION 7
SCALE 1:2



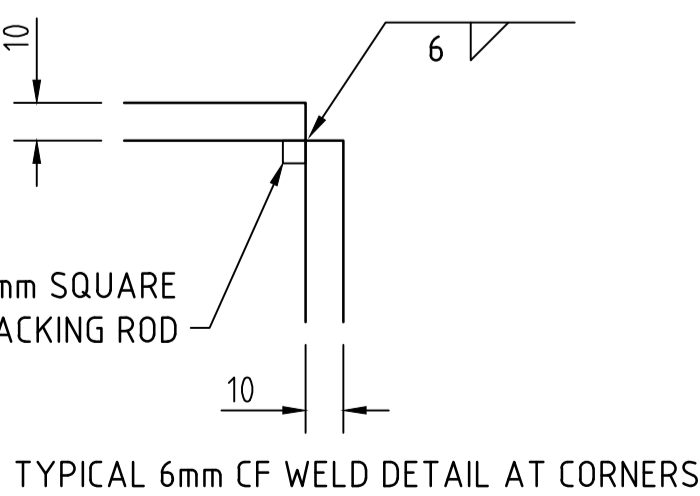
DETAIL C
SCALE 1:2



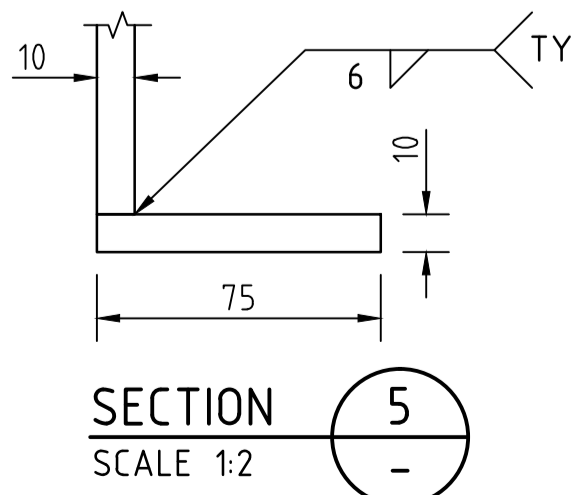
BOX
SCALE 1:5



DETAIL B
SCALE 1:2



DETAIL D
SCALE 1:2



SECTION 5
SCALE 1:2

Government of South Australia
Department for Transport, Energy and Infrastructure

DESIGNED: BVZ
CHECKED: LY
DRAFTED: SA
REVIEWED: PM
ACCEPTED FOR USE: SPIROS DIMAS
MANAGER, B&M ASSETS
DATE: 19/5/14

STANDARD DRAWING
MARINE NAVIGATION AIDS
SMALL DROPDOWN POLE
DETAILS

ACCEPTANCE FORM KNET No.: 8618985
DRAWING No.: **S - 6977**
SHEET No.: 13
AMEND No.: 1

UNCONTROLLED COPY WHEN PRINTED

FILE: H:\04 - STANDARDS\MARINE FACILITIES\6977_SHTS_12_TO_13_AND_1.dwg

No.	AMENDMENT DESCRIPTION	BY	CHECK	ACCEPTANCE	DATE
170 PCD	CHANGED TO 200 PCD, BEACON SEAT PL INCR. TO 260, PADLOCK PROTECTOR & BOX/LID CLEAT ENLARGED	SA	DH	C. TRIANTAFILLOU	13/7/16

100 MILLIMETRES ON ORIGINAL DRAWING

ALL DIMENSIONS ARE IN MILLIMETRES UNLESS SHOWN OTHERWISE

14/07/2016 3:59:28 PM