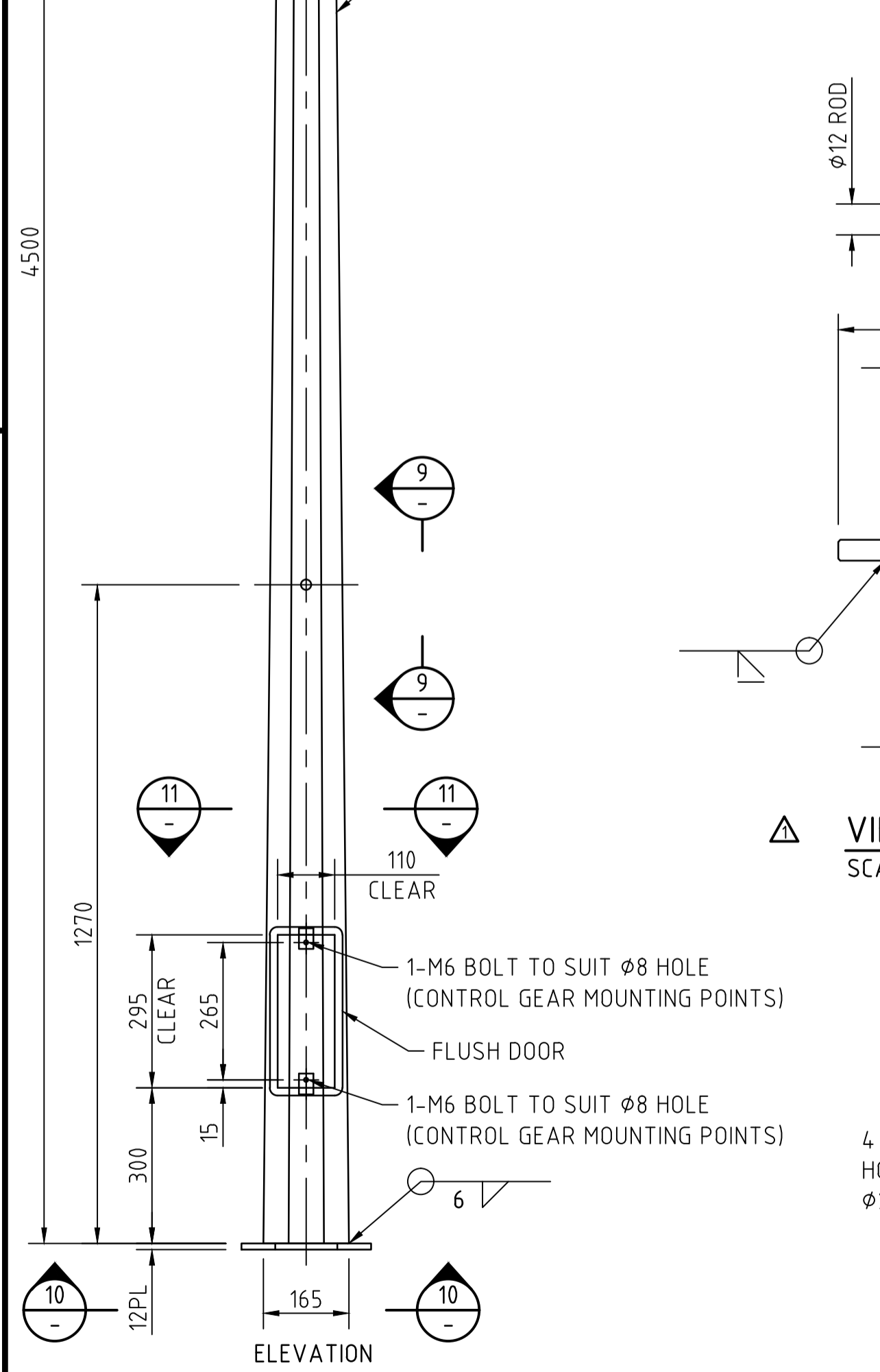
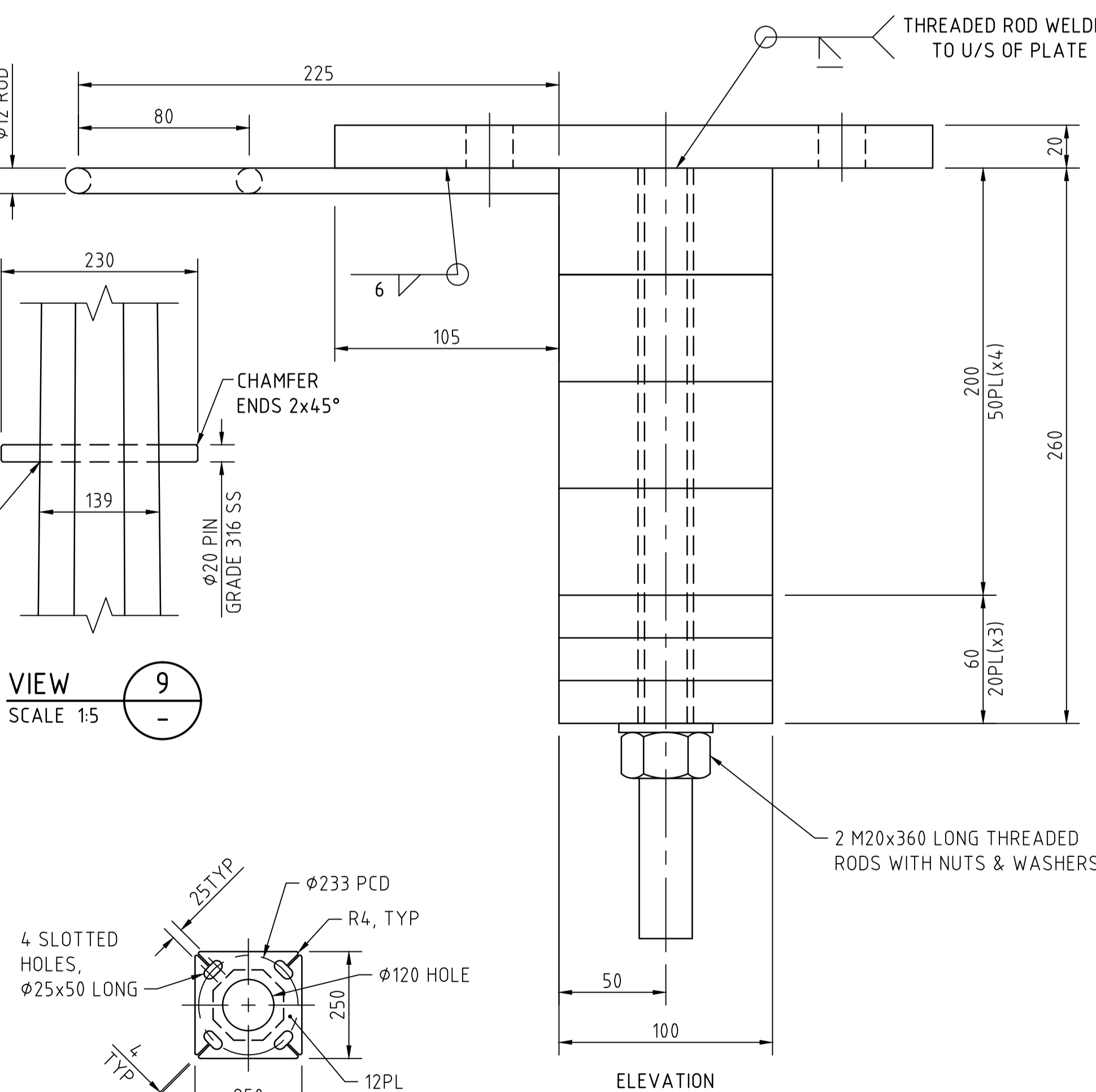
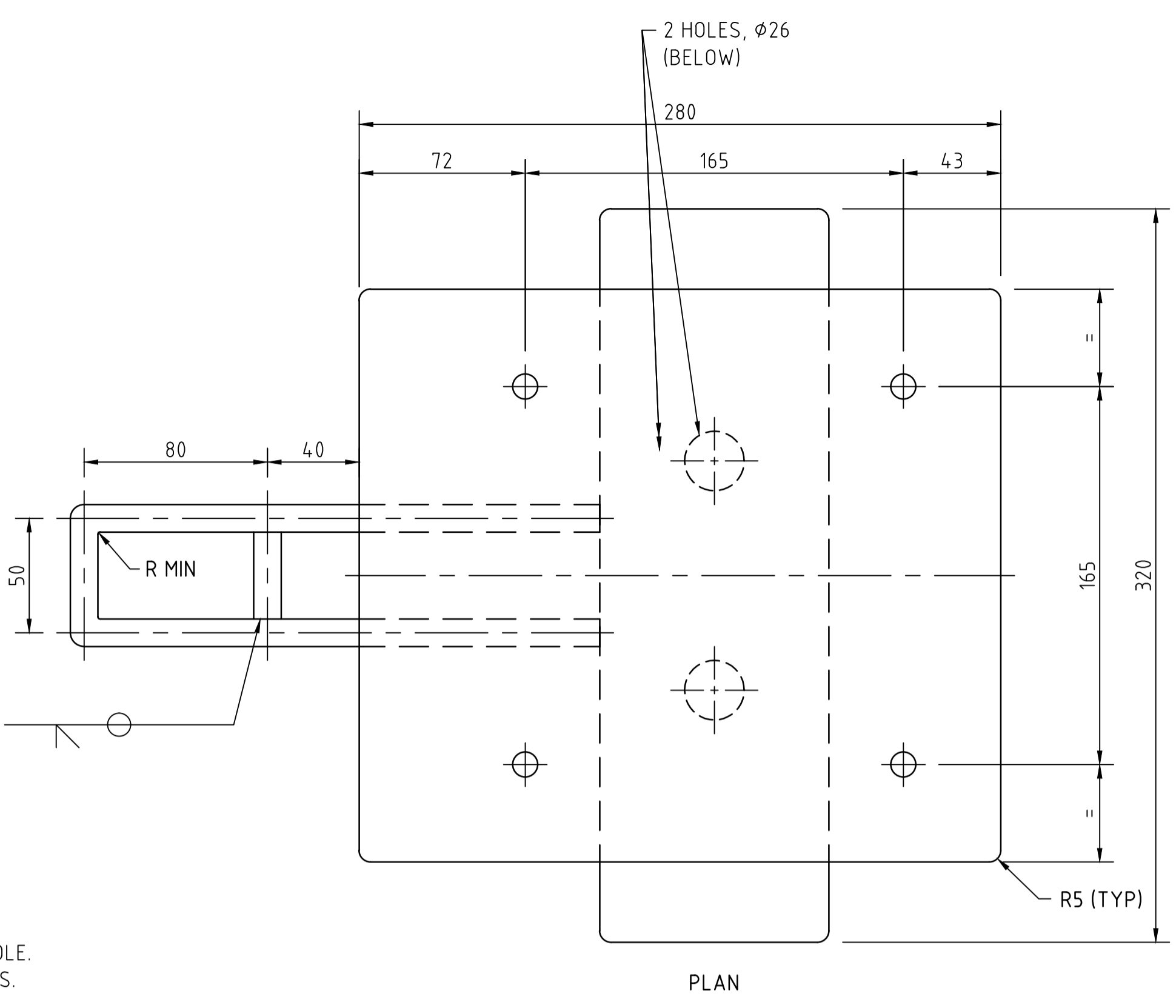


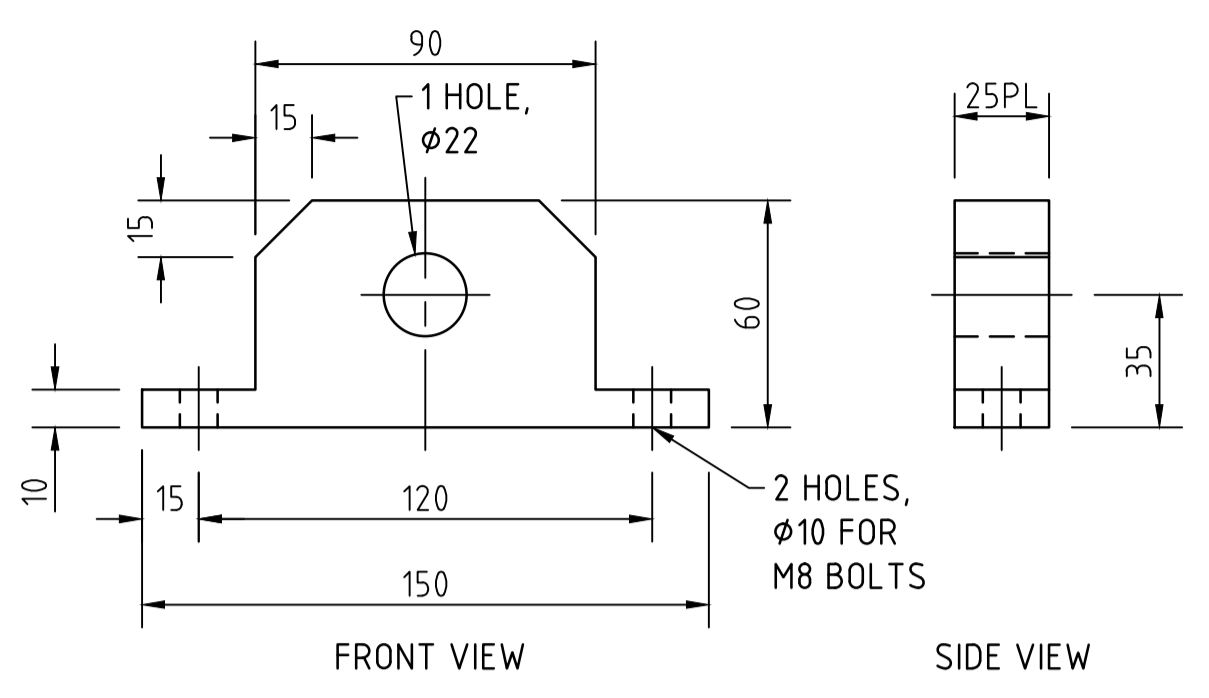
INGAL EPS FLOODLIGHTING BOULEVARD OCTAGONAL 4.5m POLE. SEE MANUFACTURER FOR DETAILS.



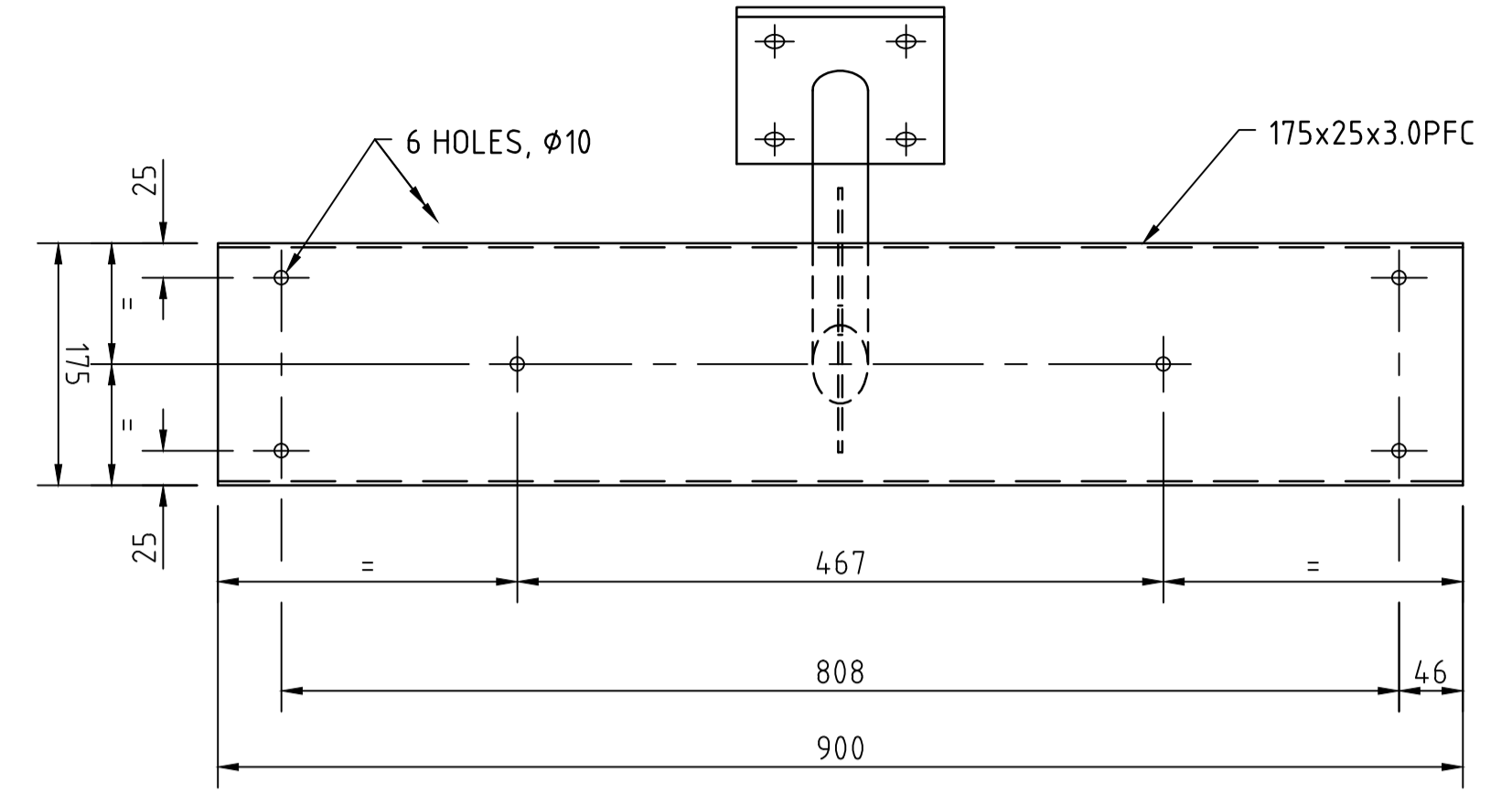
POLE
SCALE 1:10
MASS = 45KGS



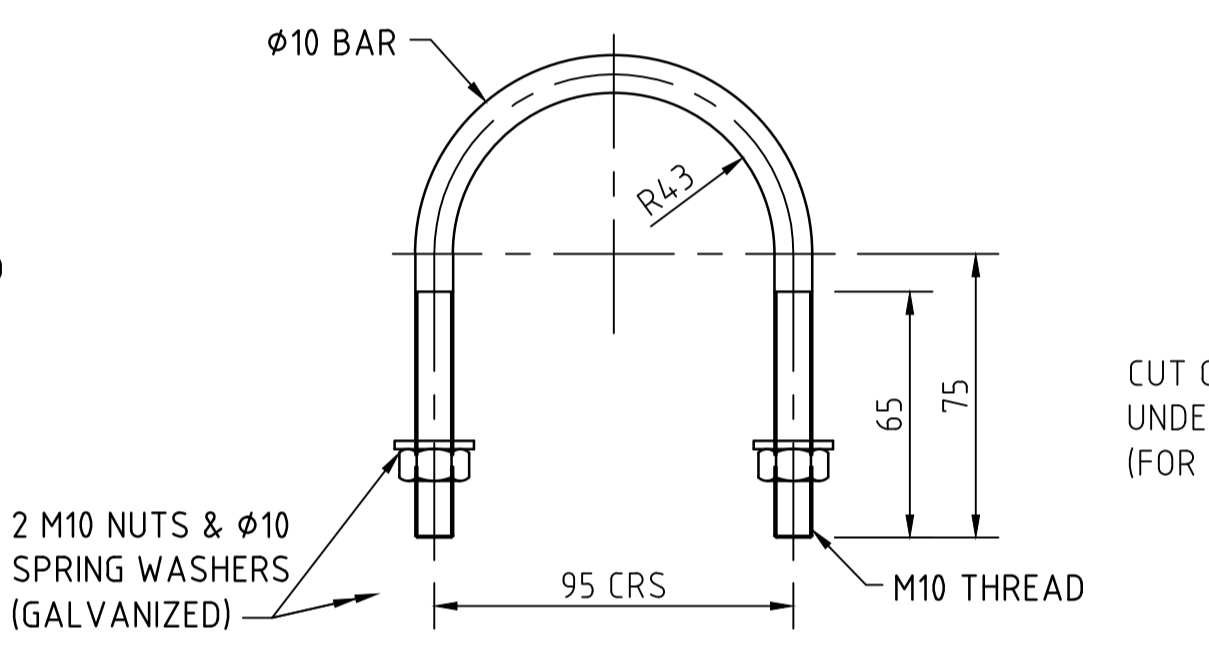
COUNTERWEIGHT
SCALE 1:2
MASS = 65KGS (NOTE: WEIGHT OF COUNTERWEIGHT ASSUMING 10KG BEACON WITH SOLAR PANEL ATTACHED)



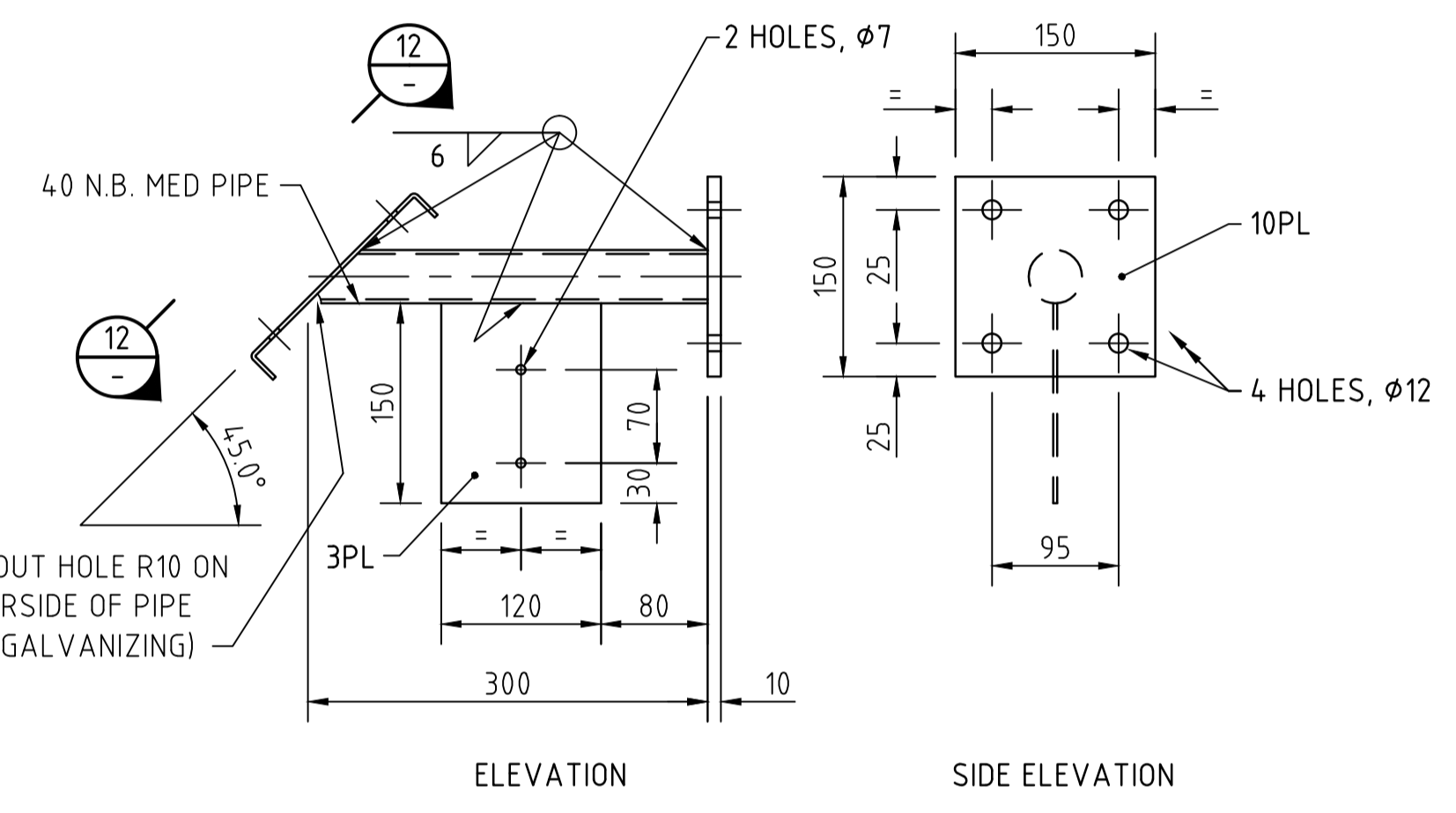
PIVOT BLOCK (GALVANIZED)
SCALE 1:2



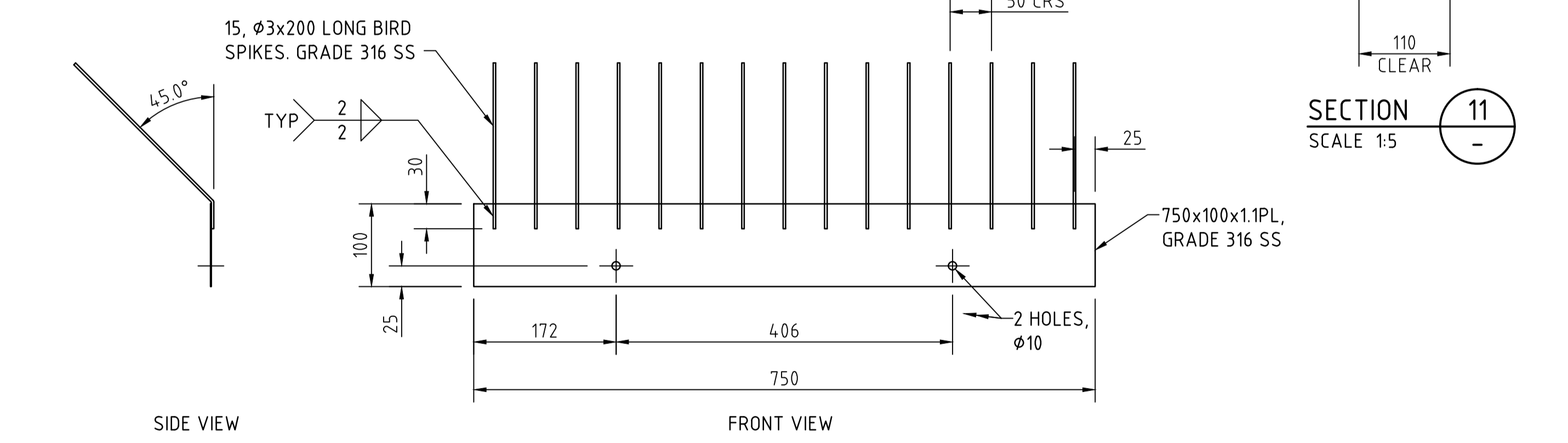
SOLAR PANEL FRAME
SCALE 1:5
MASS = 7KGS



U-BOLT (GALVANIZED)
SCALE 1:2



SOLAR PANEL FRAME
SCALE 1:5
MASS = 7KGS



BIRD SPIKES
SCALE 1:5

No.	AMENDMENT DESCRIPTION	BY	CHECK	ACCEPTANCE	DATE
1	BEACON SEAT PL ENLARGED, HOLES UPDATED TO MATCH U-BOLTS	SA	DH	C. TRIANTAFILLOU	13/7/16
2	POLE SIZE CHANGED HENCE DETAILS CHANGED	SA	DH	P. MOLLOY	8/9/14

100 MILLIMETRES ON ORIGINAL DRAWING

14/07/2016 3:59:26 PM

ALL DIMENSIONS ARE IN MILLIMETRES UNLESS SHOWN OTHERWISE

Government of South Australia
Department for Transport, Energy and Infrastructure

STANDARD DRAWING
MARINE NAVIGATION AIDS
LARGE DROPDOWN POLE
POLE DETAILS

DESIGNED: LY	DRAFTED: SA	ACCEPTED FOR USE: SPIROS DIMAS	ACCEPTANCE FORM KNET No.: 8618985	DRAWING No.: S - 6977	SHEET No.: 16	AMEND No.: 2
CHECKED: LY	REVIEWED: PM	MANAGER, B&M ASSETS DATE: 19/5/14				

UNCONTROLLED COPY WHEN PRINTED