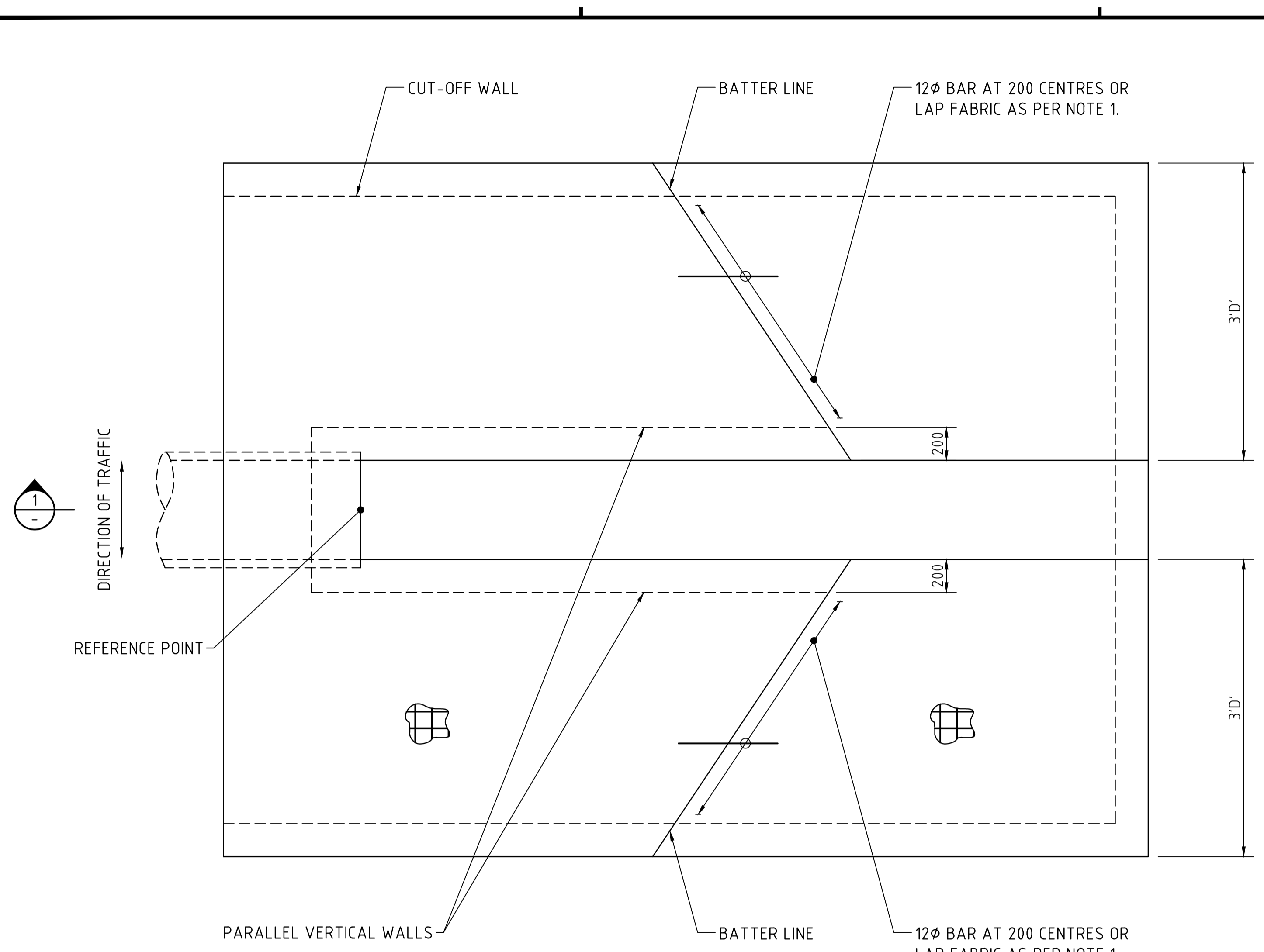
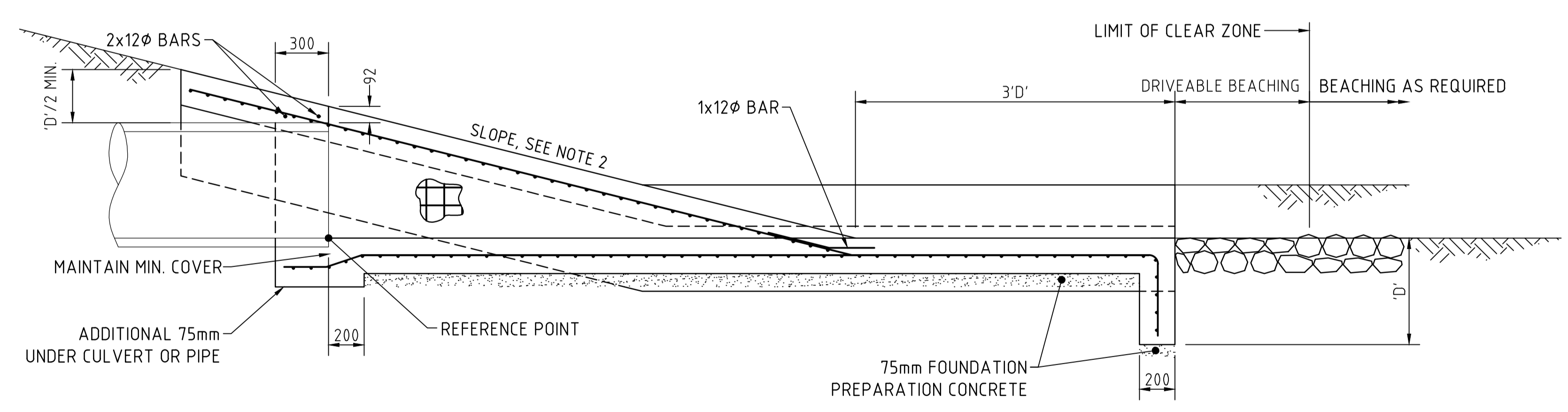


FILE: \\ORION\COMMON\Structural\01 - DRAWINGS IN PROGRESS\ANC (Various Jobs)\Standard Drawings\Stormwater\Drawings for Amendment\4002 - Sheet - 0018.dwg

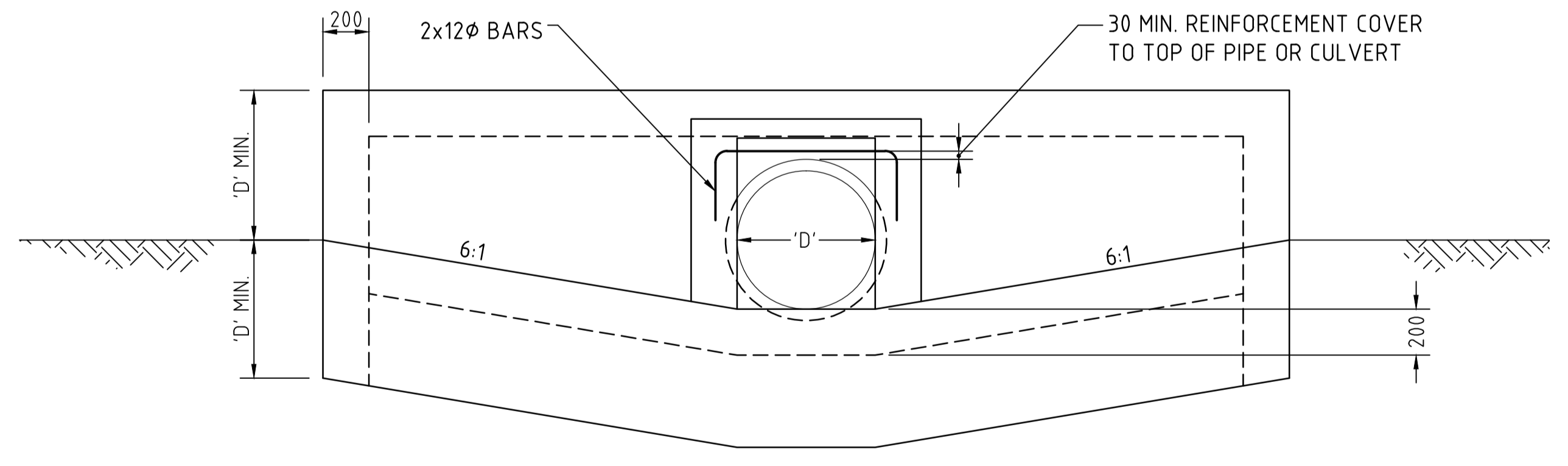


PLAN  
SCALE 1:20

- NOTES**
- REINFORCEMENT, F81 UNLESS OTHERWISE SPECIFIED, SHALL BE LOCATED CENTRALLY, CONTINUOUS, AROUND CORNERS AND LOCATED AS SHOWN. CLEAR COVER 50mm MIN., LAPS: FABRICS 300mm MIN., BARS: 25 X BAR DIAMETER MIN.
  - SLOPE OF ENDWALL TO MATCH BATTER SLOPE. MAXIMUM SLOPE 4 TO 1. MINIMUM SLOPE 6 TO 1.
  - CONCRETE
    - ENDWALLS - GRADE S32.
    - FOUNDATION PREPARATION - GRADE 10
  - EXPOSED EDGES SHALL HAVE 20x20 CHAMFERS
  - d = INTERNAL DIAMETER OF PIPE (OR HEIGHT OF BOX CULVERT).



SECTION 1  
SCALE 1:20



ELEVATION  
SCALE 1:20

**Government of South Australia**  
Department for Transport, Energy and Infrastructure

STANDARD DRAWING  
**DRIVEABLE CULVERT ENDWALLS - TYPE 2**  
R.C. PIPE AND BOX CULVERTS UP TO 600mm HIGH

DESIGNED:	DRAFTED:	ACCEPTED FOR USE:	ACCEPTANCE FORM KNET No.:	DRAWING No.:	SHEET No.:	AMEND No.:
CHECKED:	REVIEWED:	MGR. TECHNICAL SERVICES	9722937	4002	18	1
CE	RJB	DATE: 03/08/2015				

UNCONTROLLED COPY WHEN PRINTED