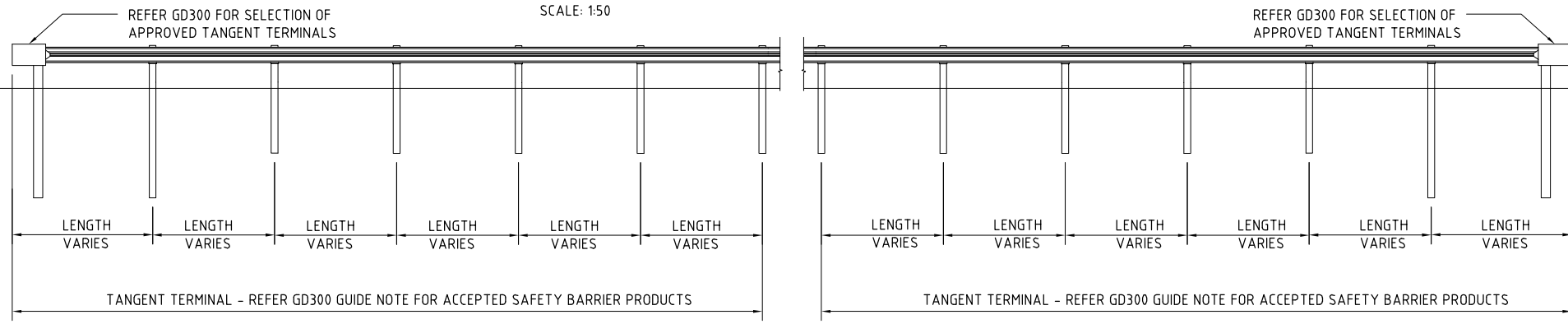
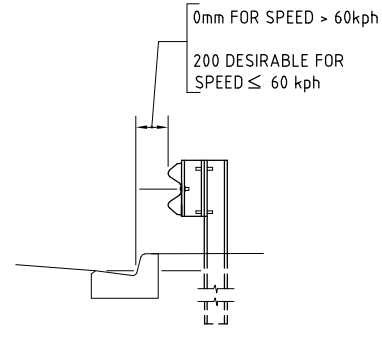


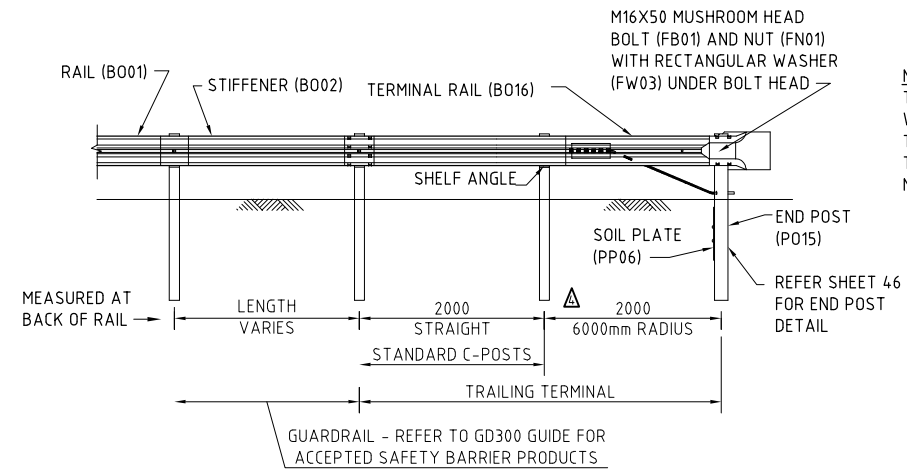
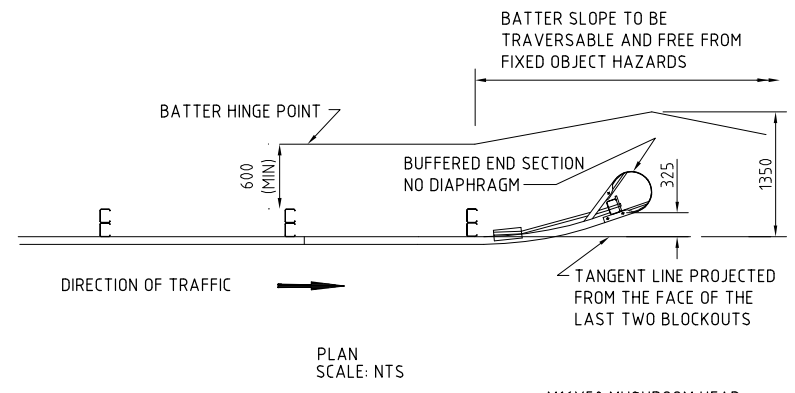
TANGENT TERMINAL PLAN (AS SHOWN DIAGRAMMATICALLY)
SCALE: 1:50



TANGENT TERMINAL ELEVATION (AS SHOWN DIAGRAMMATICALLY)
SCALE: 1:50



GUARDRAIL BEHIND KERB
SCALE 1:25



TRAILING TERMINAL AT DEPARTURE END - GENERAL ARRANGEMENT
(TANGENT TERMINAL TO BE INSTALLED AT APPROACH END)
SCALE: NTS

NOTE:
TRAILING TERMINALS ARE TO BE USED ON SAFETY BARRIERS WHEN THERE IS NO POSSIBILITY OF IMPACT FROM OPPOSING TRAFFIC (SUCH AS ONE-WAY ROADS).
TRAILING TERMINALS TO BE INSTALLED AS PER MANUFACTURERS SPECIFICATION.

NOTES	
GENERAL	
1.	SELECTION OF TANGENT TERMINALS SHALL BE IN ACCORDANCE WITH DIT GD300 GUIDENOTE FOR ACCEPTED SAFETY BARRIER PRODUCTS.
2.	THE INSTALLATION OF TANGENT TERMINAL SHALL BE STRICTLY IN ACCORDANCE WITH MANUFACTURER'S SPECIFICATION.
PROTECTIVE TREATMENT	
1.	ALL COMPONENTS TO BE HOT DIP GALVANISED IN ACCORDANCE WITH AS/NZS 4680 AND AS 1214.
2.	RENOVATION OF DAMAGED OR UNCOATED AREAS SHALL BE IN ACCORDANCE WITH AS 1650. ZINC-RICH PAINTS SHALL BE IN ACCORDANCE WITH AS/NZS 3750.9.
ASSOCIATED DOCUMENTS	
AS/NZS 3845 AND DIT SPECIFICATIONS	

#FOR HEIGHT OF POST ABOVE GROUND, REFER TO GD300 'APPROVED SAFETY BARRIER' PRODUCT AND SUPPLIERS PRODUCT MANUAL

No.	AMENDMENT DESCRIPTION	BY	CHECK	ACCEPTANCE	DATE
1	TITLE BLOCK UPDATE, MELT TERMINAL DETAIL DELETED, APPROACH END DETAIL DELETED	DU	PM	P MOLLOY	27/05/21
2	DIMENSION CHANGED	AP	PM	A NOBBS	30/7/10
3	BARRIER OFFSET CHANGED	AP	PM	P D WILSON	18/5/06
4	IDENTIFIER ADDED	AP	PD	G W CHAPLIN	4/8/05
5	SUPERSEDE NOTE ADDED	AP	PD	G W CHAPLIN	27/6/05

▲ SUPERSEDES DRG S-4050 SHEETS 29-35

DESIGNED	QUALIFICATION	DATE: DDMM/YYYY
REVIEWER	QUALIFICATION	DATE: DDMM/YYYY
INDEPENDENT DESIGN CERTIFIER (IF REQUIRED)	QUALIFICATION	DATE: DDMM/YYYY

Government of South Australia
Department for Infrastructure and Transport

DESIGNED: A.P.		DRAFTED: DIT		ACCEPTED FOR USE: G.W. CHAPLIN		ACCEPTANCE FORM KNET No.:		DRAWING No.: S - 4050		SHEET No.: 36		AMEND No.: 5	
CHECKED: A.P.		REVIEWED: A.N.		DATE: 06/08/2004				LATITUDE:		LONGITUDE:			