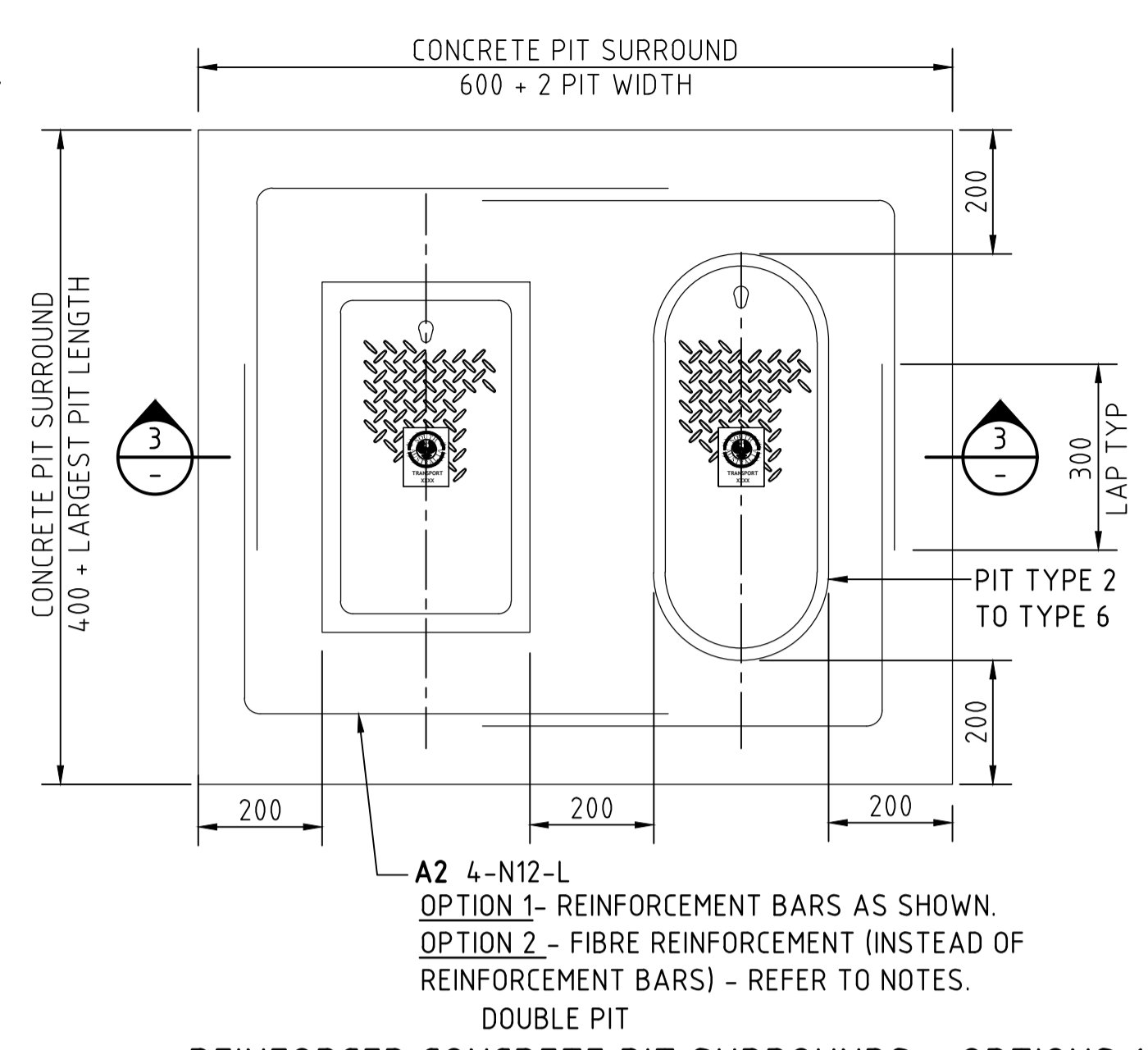
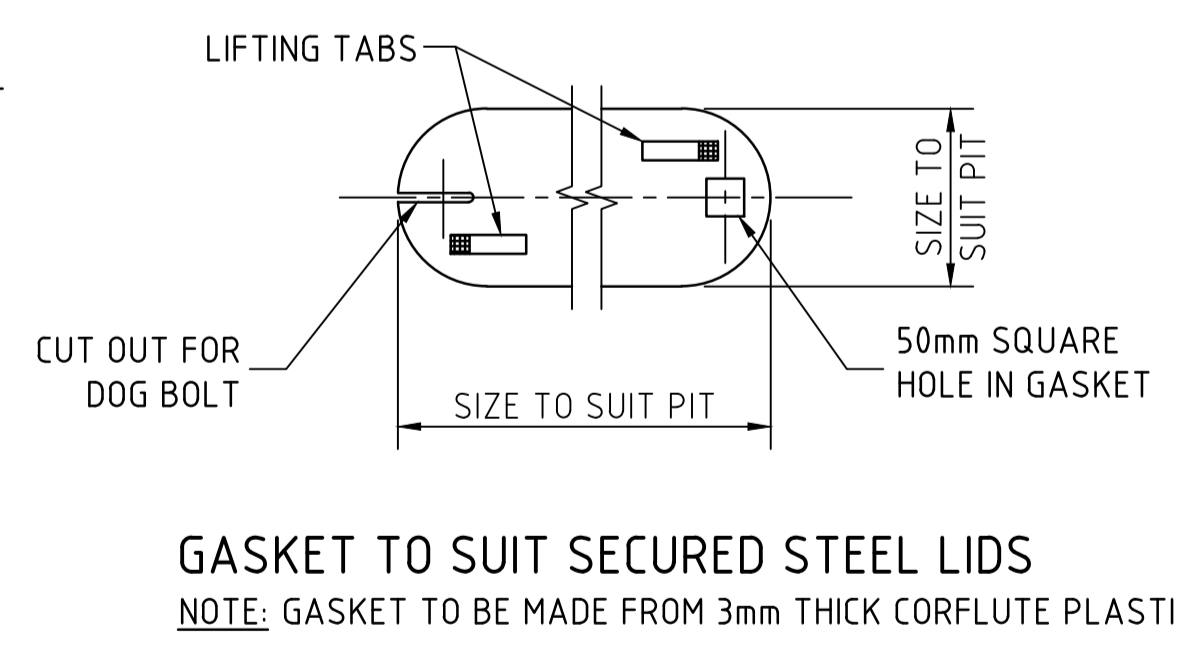
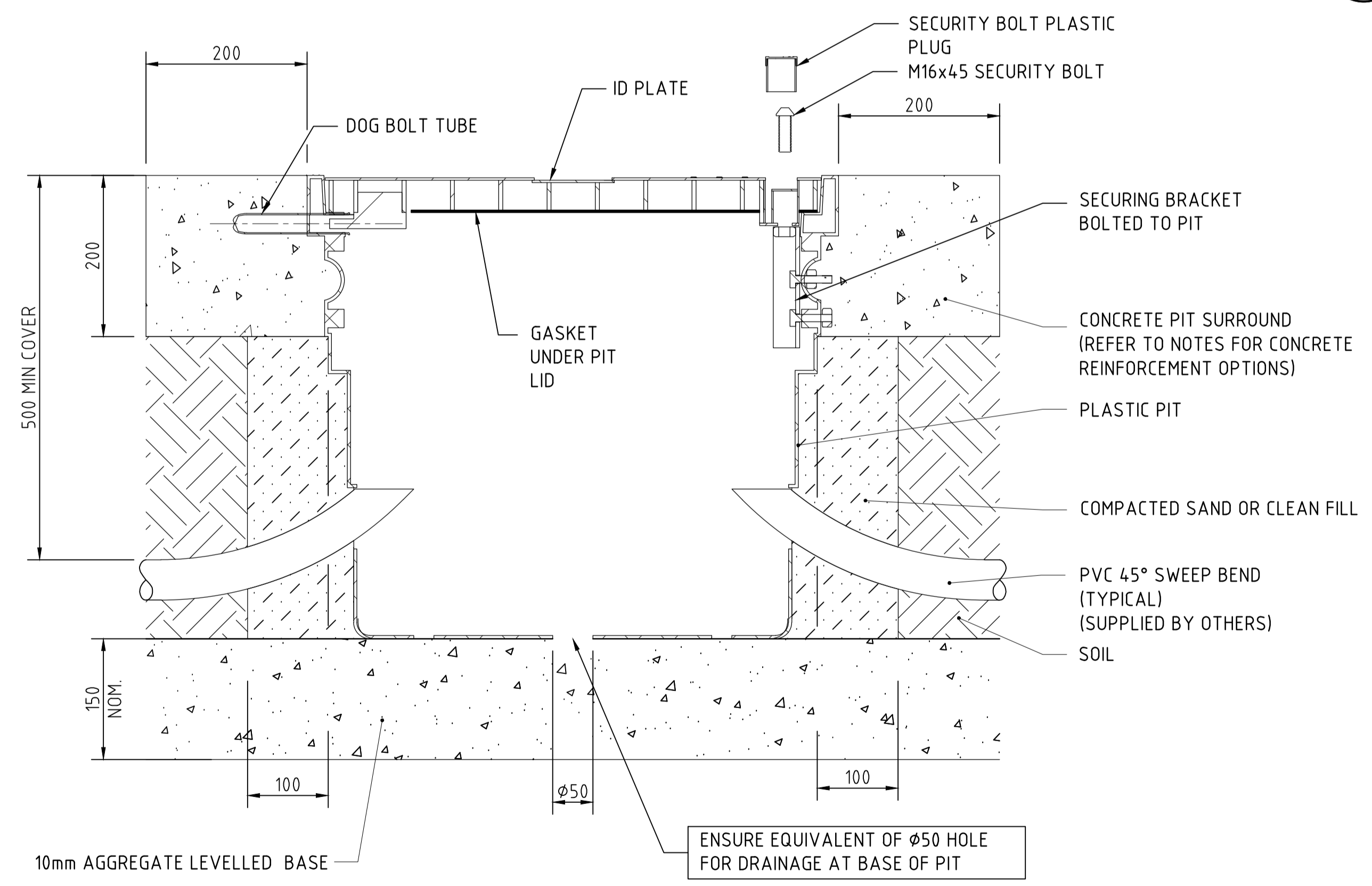
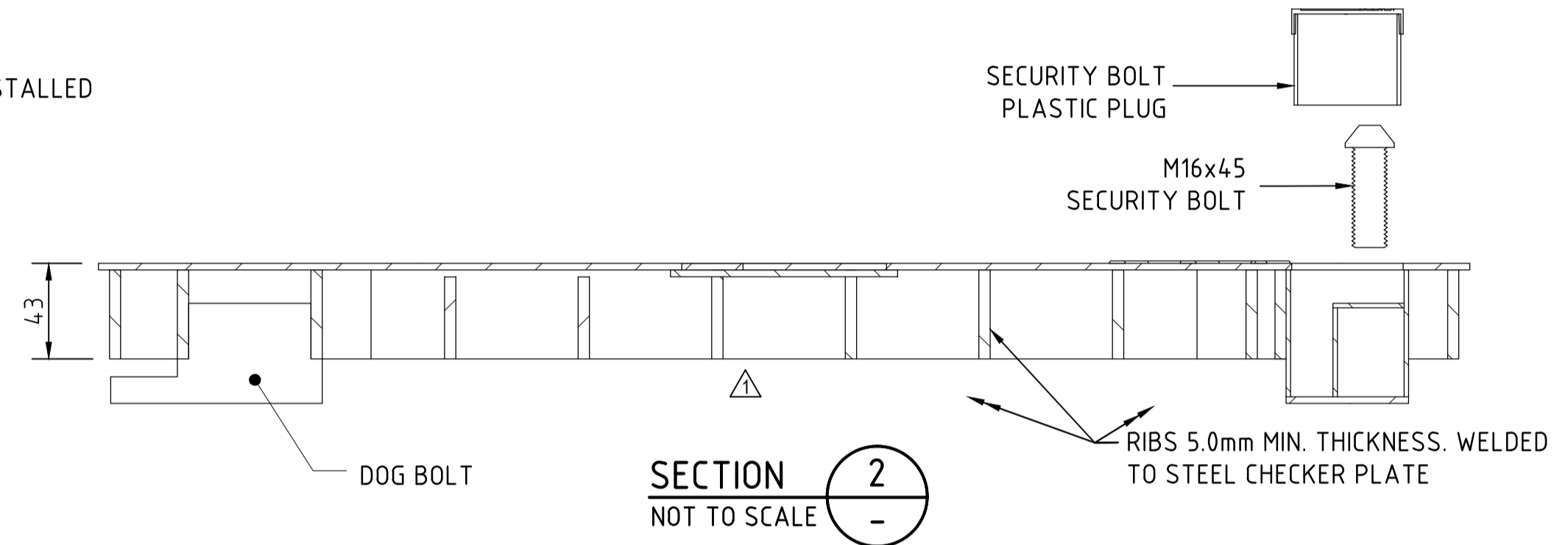
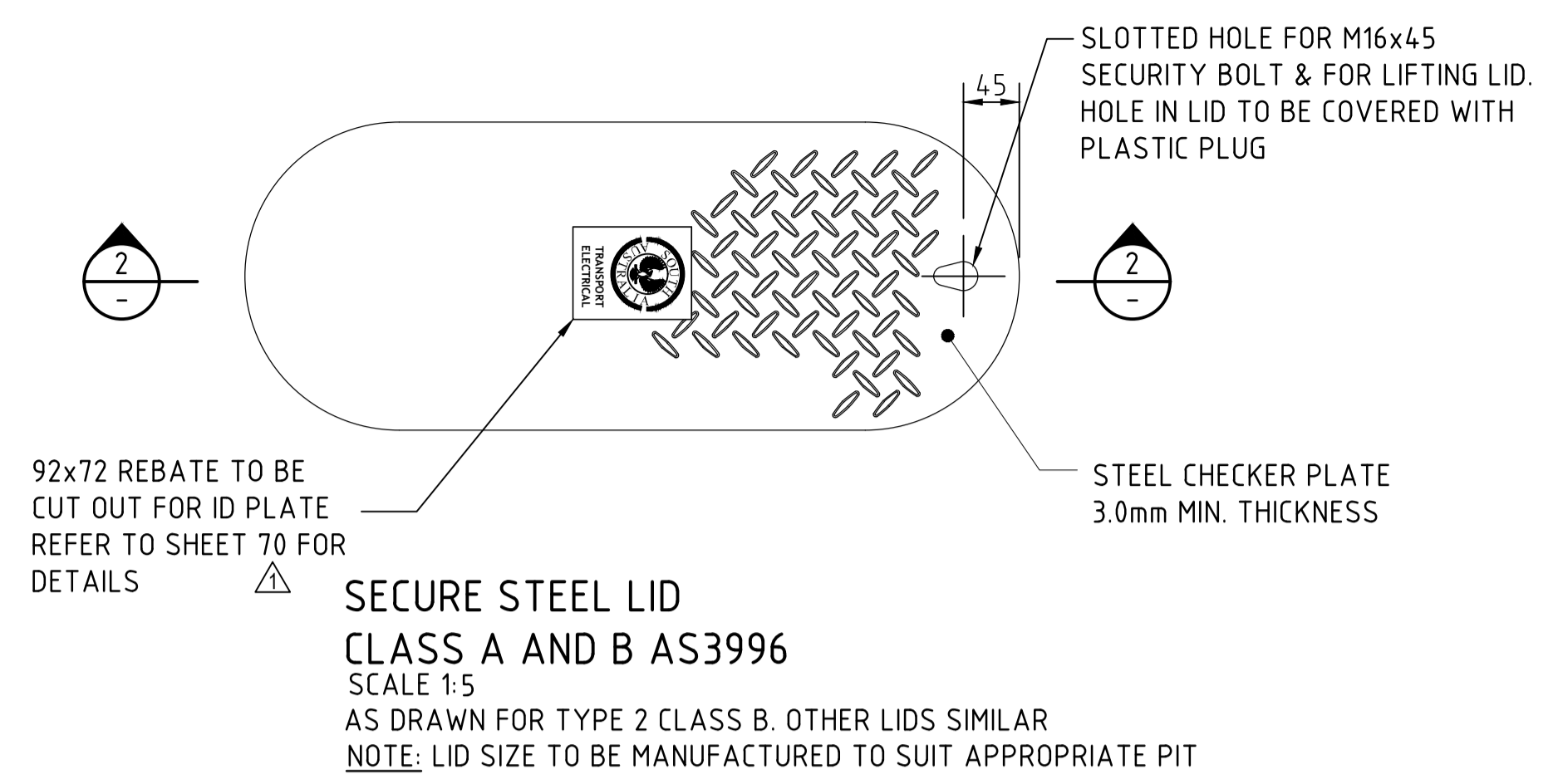


PIT TYPE	PIT DIMENSIONS (mm)		
	L	W	D
TYPE 2	660	290	575
TYPE 3	-	-	-
TYPE 4	715	410	800
TYPE 5	715	465	635
TYPE 6	1380	565	670
TYPE 7	1020	565	1145
TYPE 8	1380	565	890
TYPE 9	2035	565	890

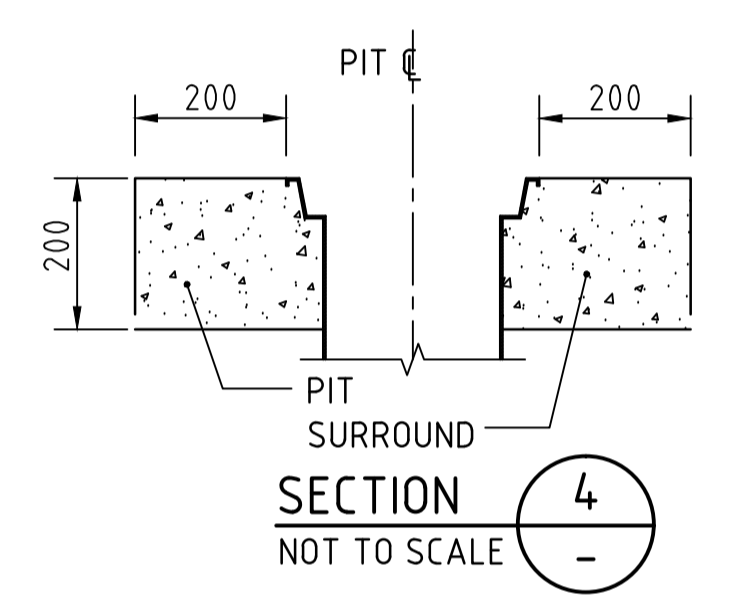
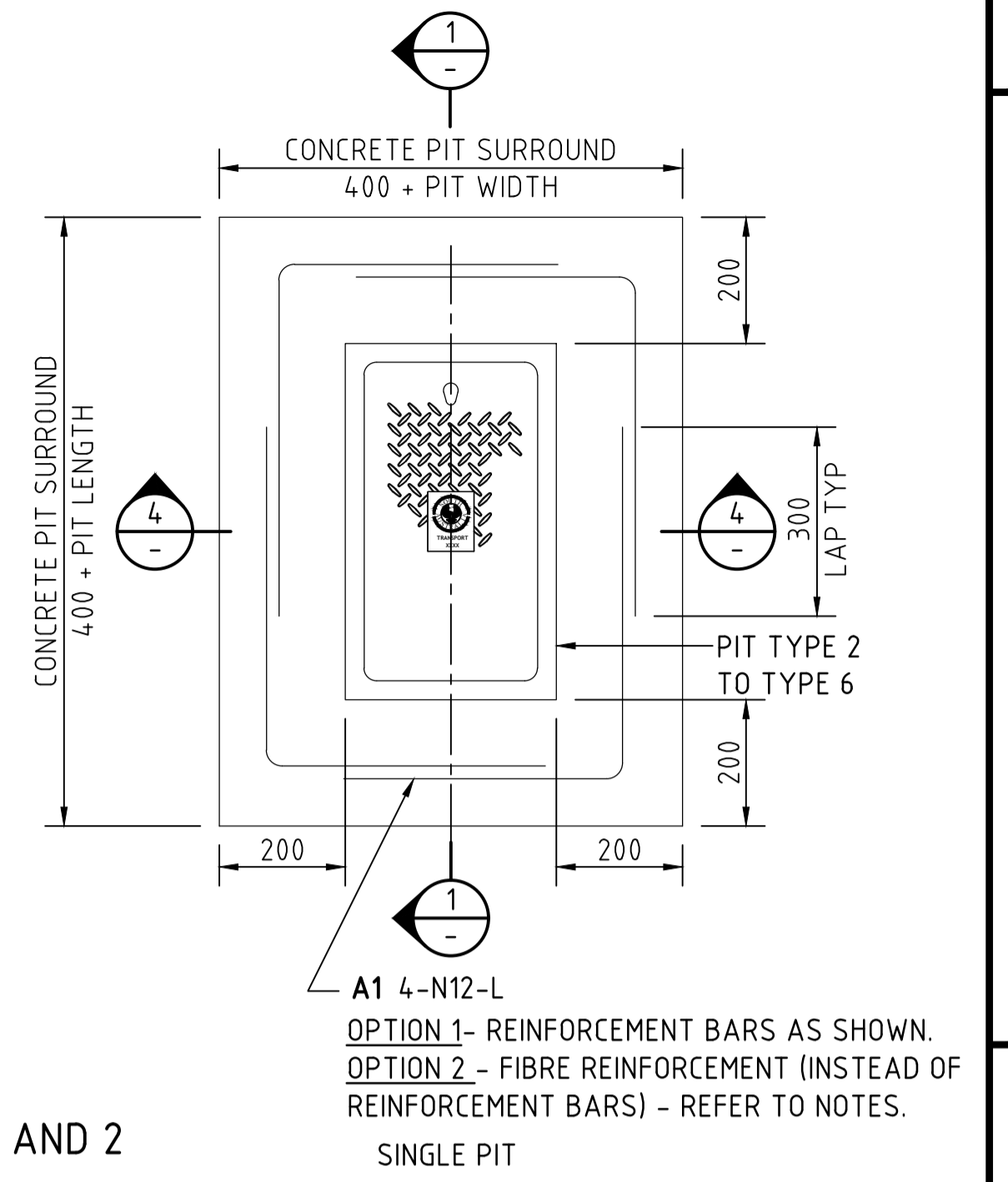
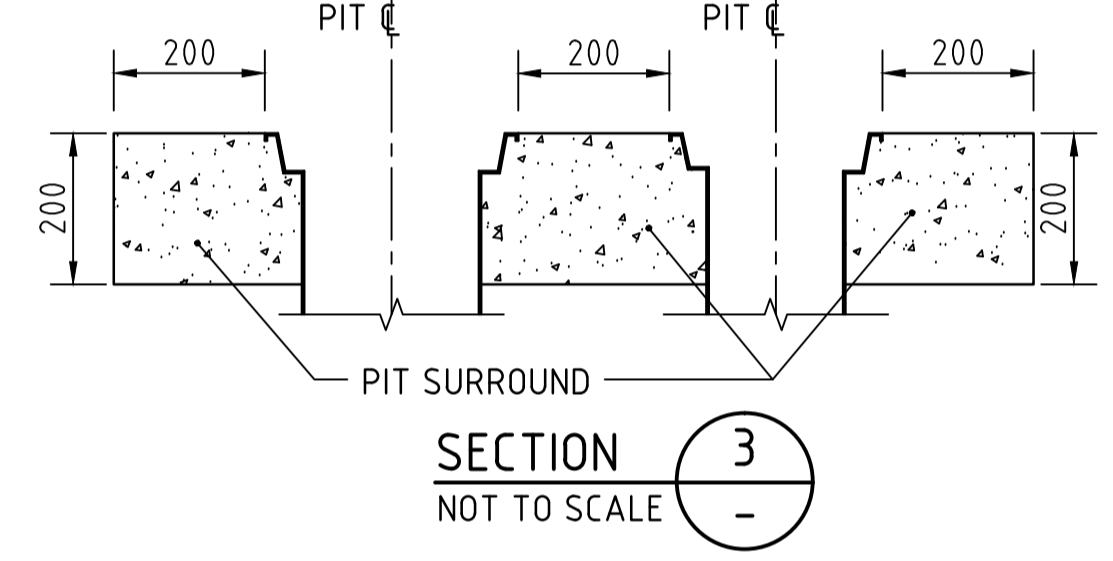
NOTE: THESE DIMENSIONS ARE NOMINAL AND SHOULD BE CHECKED WITH ACTUAL PIT ON SITE.  
\*TYPE 3 NOT TO BE USED FOR SECURE LID

**PLASTIC PITS (ROTATIONAL MOULDED) - DIMENSIONS**  
SCALE 1:10

NOTE: PLASTIC PITS ARE COMMERCIALY AVAILABLE PRODUCT. PITS TO BE INSTALLED AS PER THIS DRAWING AND MANUFACTURER'S RECOMMENDATIONS.



**REINFORCED CONCRETE PIT SURROUNDS - OPTIONS 1 AND 2**  
NOT TO SCALE



**NOTES**

- GENERAL**
- NOTES TO BE READ IN CONJUNCTION WITH DPTI MASTER SPECIFICATION.
  - REINFORCED CONCRETE SURROUND IS REQUIRED WITH ALL PIT INSTALLATIONS IRRESPECTIVE OF EXISTING GROUND SURFACE CONDITION.
  - BACKFILL AROUND PIT WITH SAND (REFER DPTI MASTER SPECIFICATION) & COMPACT TO 90% MODIFIED COMPACTION.
  - CONDUIT ENTRY SHALL BE SEALED INSIDE AND OUT WITH APPROVED SEALANT.
  - LIDS TO BE CLASS 'A' AND 'B' IN ACCORDANCE WITH AS 3996 CLAUSE 3.1.
  - FOR LID COMPONENTS REFER TO DRAWINGS S-4055 SHEET 70
  - ALL STEEL LIDS & COMPONENTS SHALL BE HOT DIP GALVANISED AFTER FABRICATION IN ACCORDANCE WITH AS/NZS 4680 & AS 1214 (BOLTS AND NUTS)
  - ALL NUTS TO BE TAPPED OVERSIZE TO SUIT GALVANISING.
  - LID CLASS TO BE PERMANENTLY LABELLED ON THE UNDERSIDE OF THE LID.
  - SIMILAR LID & SECURING MECHANISM IS SUBJECT TO DPTI APPROVAL
- REINFORCED CONCRETE SURROUND OPTIONS**
- OPTION 1 - REINFORCEMENT AS PER DETAIL ON THIS SHEET.**
- COVER TO REINFORCEMENT: 100mm AGAINST SOIL & PIT.
  - MINIMUM LAP 25 DIA FOR 500N BARS, UNO.
  - REINFORCING BAR SHALL BE GRADE D500N IN ACCORDANCE WITH AS/NZS4671. STANDARD HOOKS AND BENDS SHALL BE IN ACCORDANCE WITH AS 3600.
  - CONCRETE SHALL BE GRADE N32 MINIMUM, WITH MAXIMUM SLUMP OF 80mm.
- OPTION 2 - FIBRE REINFORCEMENT**
- CONCRETE SHALL BE IMPREGNATED WITH 'FORTA FERRO' OR ALTERNATIVE APPROVED FIBRE PRODUCED FROM 100% VIRGIN COPOLYMER/POLYPROPYLENE. DOSAGE RATE FOR 'FORTA FERRO' IS 5kg/m<sup>3</sup> OF CONCRETE MIX. FIBRE TOUGHNESS RE 3% TO BE AT LEAST 40%.
  - CONCRETE SHALL BE GRADE N32 MINIMUM, WITH MAXIMUM SLUMP OF 80mm. THE CONCRETE MIX TO BE DESIGNED FOR SPECIFIC FIBRE USED.
- INSTALLATION OF LID**
- BEFORE CASTING REINFORCED CONCRETE PIT SURROUND INSTALL DOG BOLT TUBE IN PREDRILLED HOLES & ATTACH PIT SECURING BRACKET ONTO PIT USING 2 M10 BOLTS AND NUTS
  - CAST REINFORCED CONCRETE PIT SURROUND.
  - INSTALL LID AND SECURE IT WITH M10x45 SECURITY BOLT. COVER THE ACCESS HOLE WITH SECURITY BOLT PLASTIC PLUG
  - SECURITY BOLT TO BE SUPPLIED BY DPTI. CONTRACTOR TO SUPPLY EQUIVALENT D-BOLTS
  - ENSURE ANTI-SEIZE COMPOUND IS USED ON BOLT THREADS.

FILE: H:\04 - STANDARDS\4-055 - LIGHTING\4-055 Sheet 0068-AMD 1.dwg

No.	AMENDMENT DESCRIPTION	BY	CHECK	ACCEPTANCE	DATE
1	SHEET NUMBER NOTE AMENDED NOTES UPDATED PITS ADDED	MD	ED	S. PASCALE	5/4/16

THIS SHEET SUPERSEDES SHEETS 59 TO 62

<p>Government of South Australia</p> <p>Department of Planning, Transport and Infrastructure</p>	<p>STANDARD DRAWING</p> <p>ELECTRICAL ASSETS</p> <p>ELECTRICAL SERVICES AND COMMUNICATION</p>		<p>PLASTIC PITS AND SECURE STEEL LIDS CLASS A AND B &amp; SURROUNDS</p>	
	<p>DESIGNED: AP</p> <p>CHECKED: AP</p>	<p>DRAFTED: MD</p> <p>REVIEWED: PM</p>	<p>ACCEPTED FOR USE: PHIL MOLLOY</p> <p>MGR, ENGINEERING SERVICES</p> <p>DATE: 01/12/2015</p>	<p>ACCEPTANCE FORM KNET No.: 9973285</p>