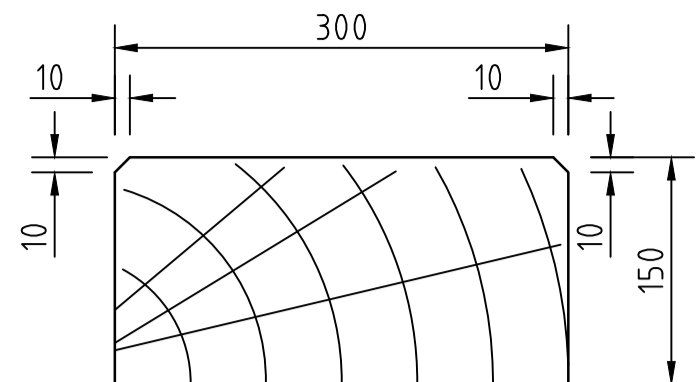
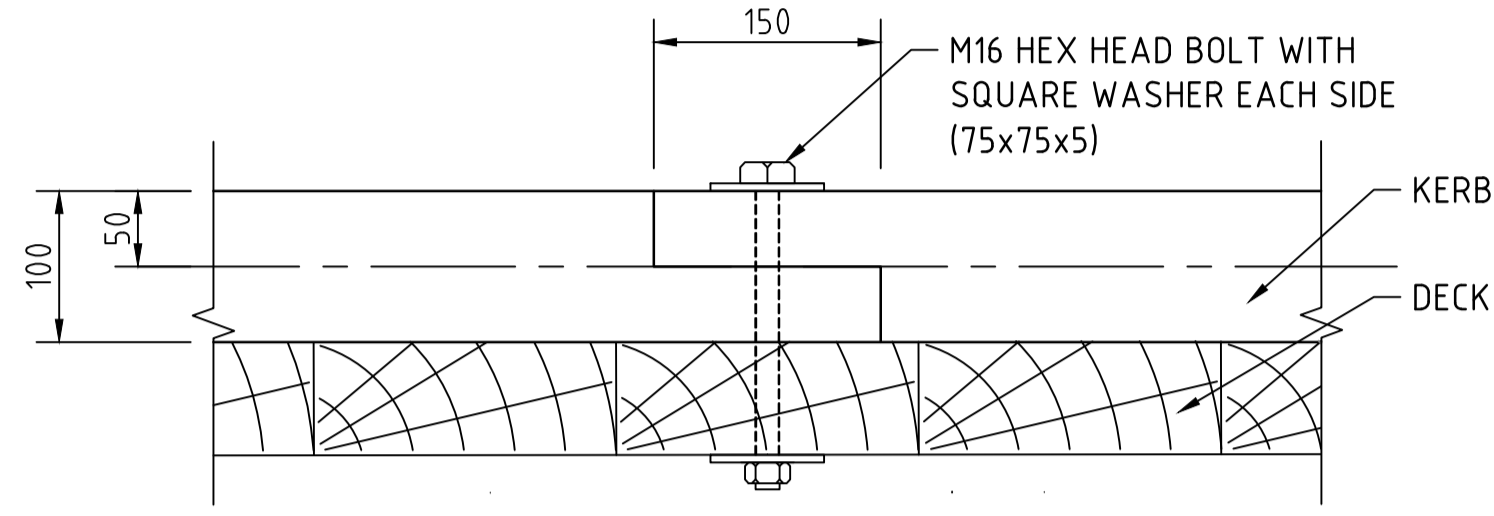


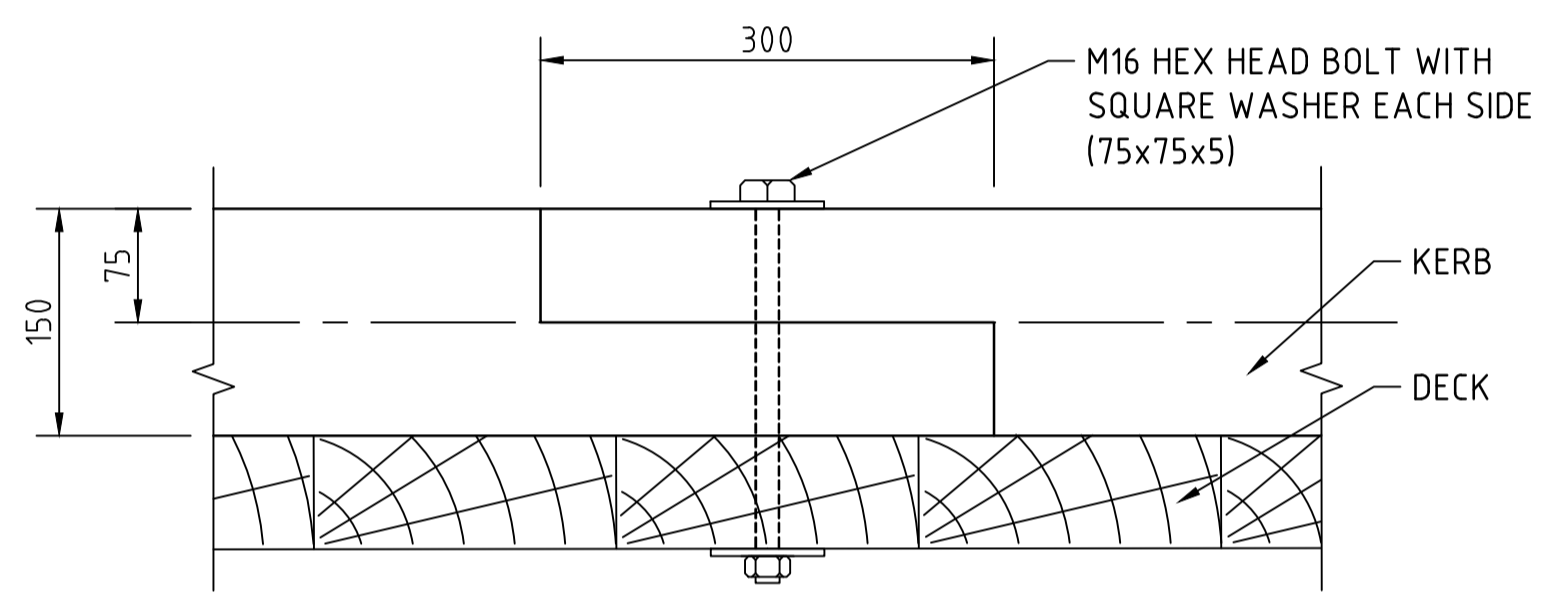
KERB SECTION TYPE 1
SCALE 1:5



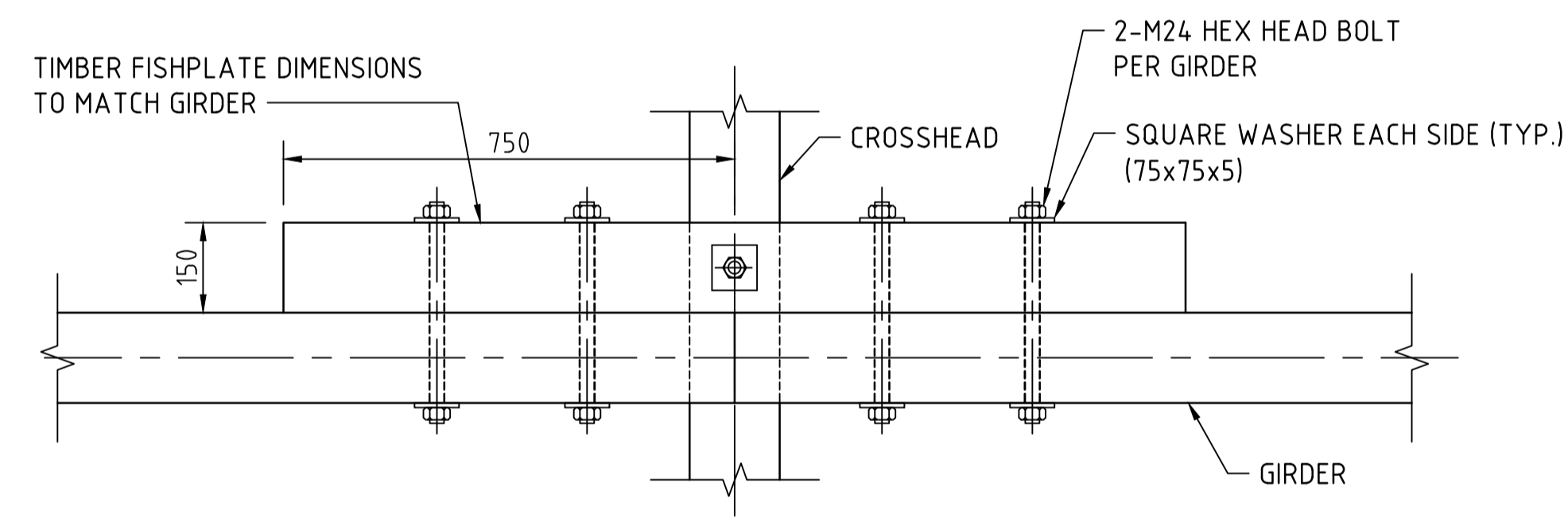
KERB SECTION TYPE 2
SCALE 1:5



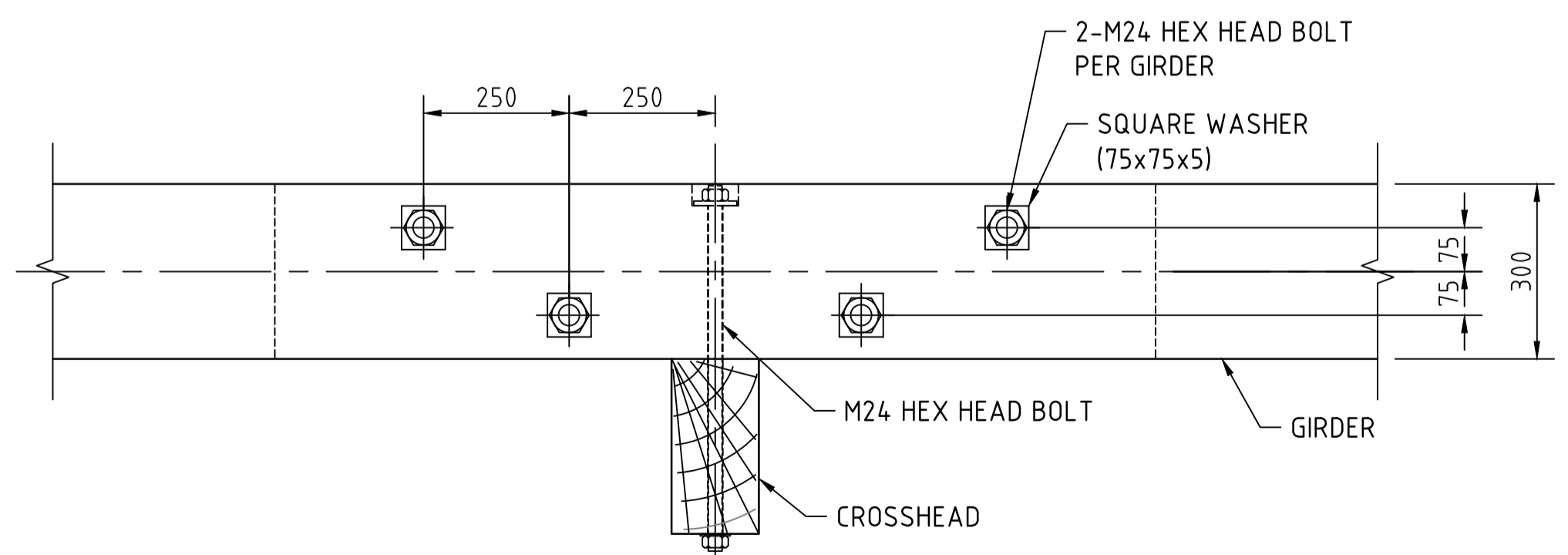
KERB SPLICE DETAIL TYPE 1
SCALE 1:5



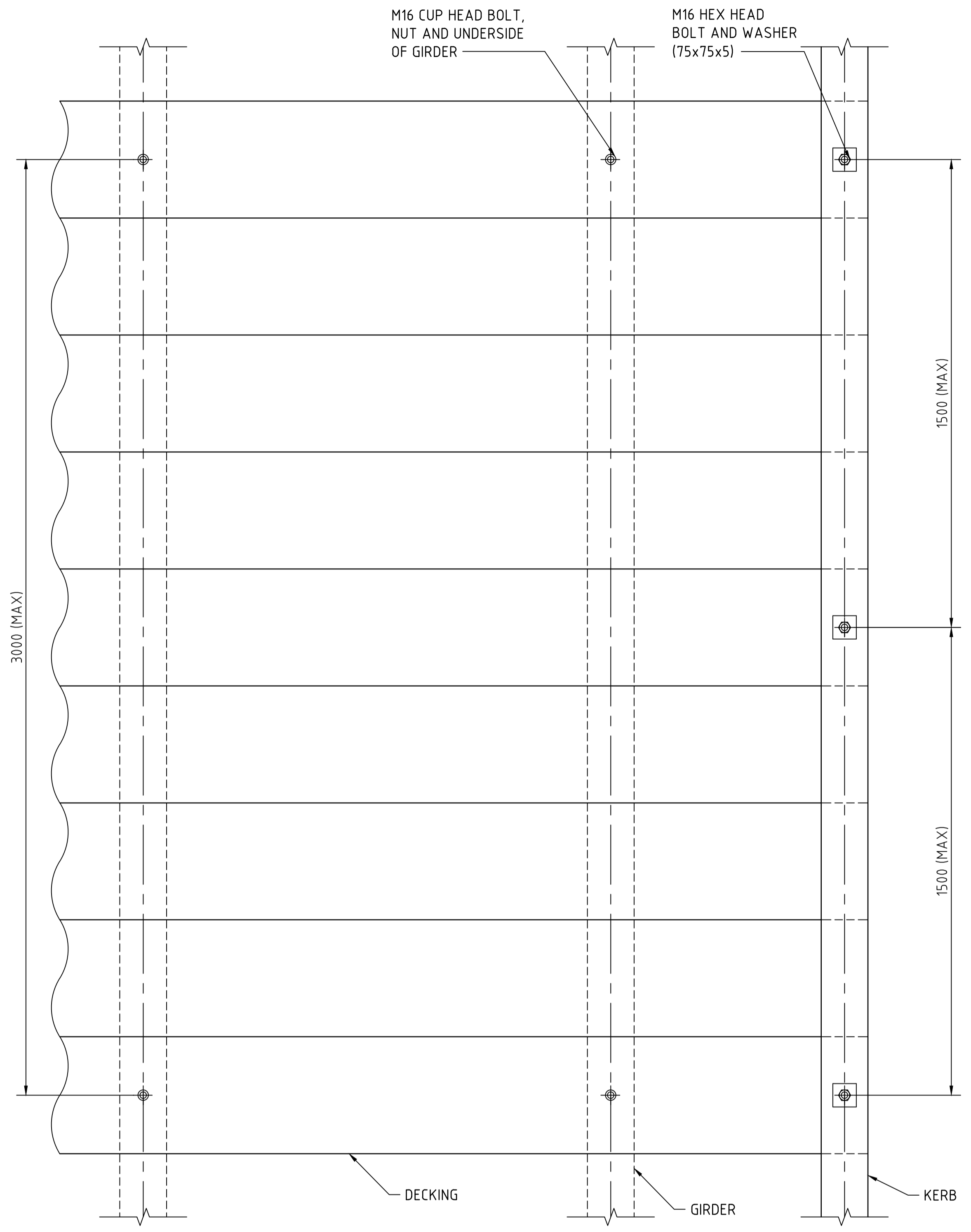
KERB SPLICE DETAIL TYPE 2
SCALE 1:5



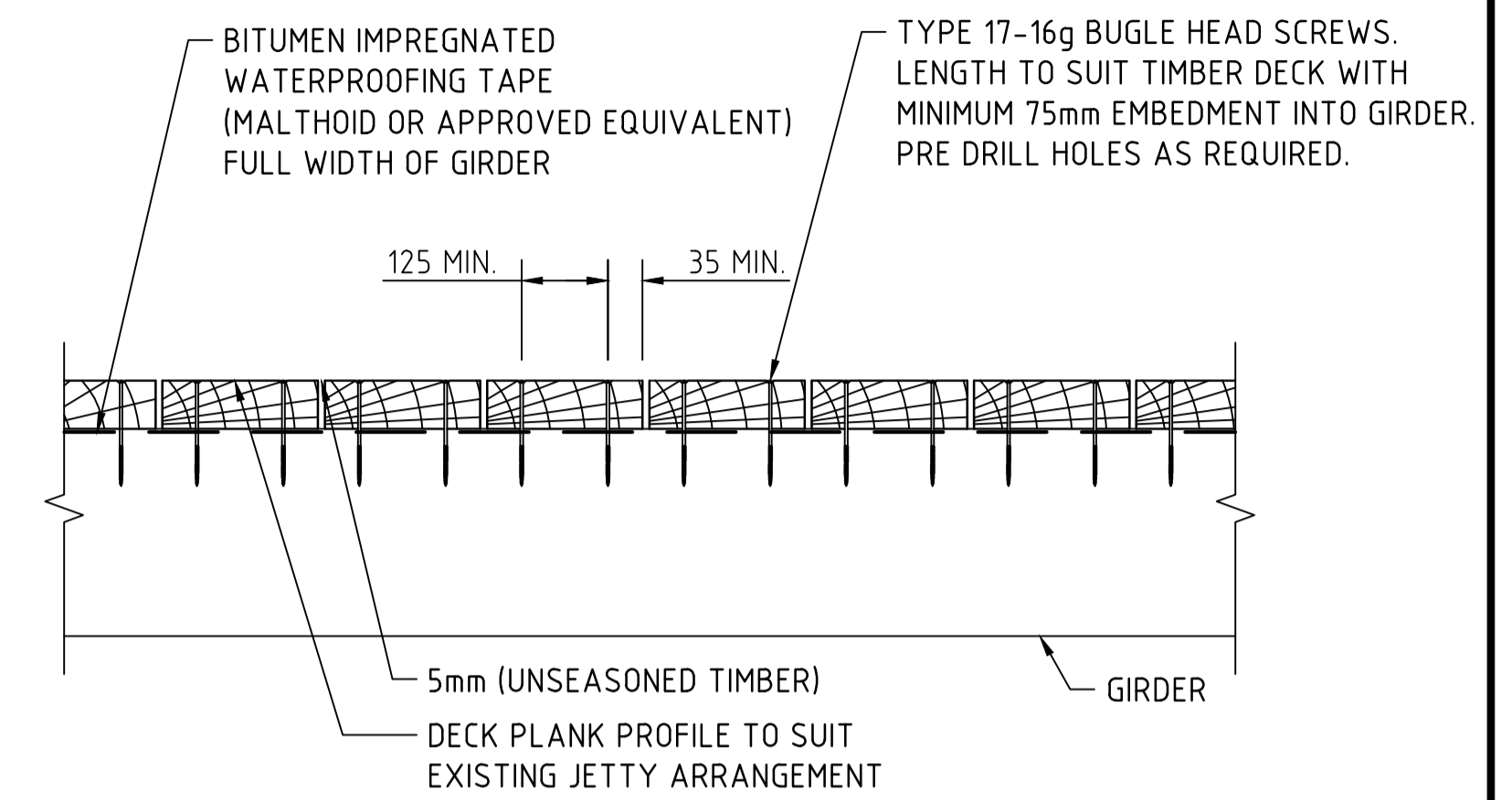
FISHPLATE PLAN VIEW
SCALE 1:10



FISHPLATE ELEVATION
SCALE 1:10



KERB ON DECK OVERHANG DETAIL
SCALE 1:10



TYPICAL DECKING DETAIL
SCALE 1:10

NOTES:

GENERAL

- NOTES AND DRAWINGS TO READ IN CONJUNCTION WITH THE DIT TIMBER JETTY WORKS MASTER SPECIFICATION AND ALL STANDARDS / SPECIFICATIONS REFERENCE WITH THE DOCUMENT.
- KERBING SHALL BE FIXED TO DECK AND / OR GIRDERS AT 1500mm CENTRES.
- ALL BOLTS, NUTS AND WASHERS SHALL BE GRADE 8.8 IN ACCORDANCE WITH AS 1214 AND HOT DIPPED GALVANISED IN ACCORDANCE WITH AS/NZS 4680.
- DECK PLANKS TO BE FIXED TO ALL GIRDERS.

DECKING

- SINGLE LENGTH OF TIMBER TO BE USED FOR DECKING PLANKS.
- ALL DECK FIXINGS TO BE RESTRIKED / RESCREWED AFTER INSTALLATION TO ALLOW FOR TIMBER 1-2 YEARS SHRINKAGE. SUBSEQUENT RESTRIKES / RESCREWS MAY BE REQUIRED LATER ON.
- ALTERNATE FIXING: 9mm GALVANIZED DECK SPIKE. LENGTH TO SUIT TIMBER DECK, MINIMUM 75mm EMBEDMENT INTO PRE DRILL HOLES AS REQUIRED.



DESIGNED	WGA
QUALIFICATION DATE:	
REVIEWER	DIT
QUALIFICATION DATE:	
INDEPENDENT DESIGN CERTIFIER (IF REQUIRED)	
QUALIFICATION DATE:	



DESIGNED		STANDARD DRAWINGS	
WGA		JETTY CONSTRUCTION	
DRAFTED		TYPICAL JETTY DETAILS	
WGA			
ACCEPTED FOR USE:		ACCEPTANCE FORM KNET No.:	DRAWING No.:
L.MASE			S-6997
CHECKED:	REVIEWED:	DATE: 22/09/2023	SHEET No.:
AJO	DIT		11
		AMEND No.:	
		2	
		LATITUDE:	
		LONGITUDE:	

FILE: V:\2020\202200 - 202299\202246 - DIT - 2020-21 Jetty Remediation Projects\Drafting\Typ.DIT Jetty Construction Details\S-6997-11_2.dwg

No.	AMENDMENT DESCRIPTION	BY	CHECK	ACCEPTANCE	DATE
2	ISSUED FOR USE	WGA	WGA	L.MASE	22.09.23
1	PRELIMINARY ISSUE	WGA	WGA		17.03.23

PRELIMINARY DRAWING
NOT FOR CONSTRUCTION

100 MILLIMETRES ON ORIGINAL A1 DRAWING ALL DIMENSIONS ARE IN MILLIMETRES UNLESS SHOWN OTHERWISE UNCONTROLLED COPY WHEN PRINTED

22/09/2023 3:05:56 PM