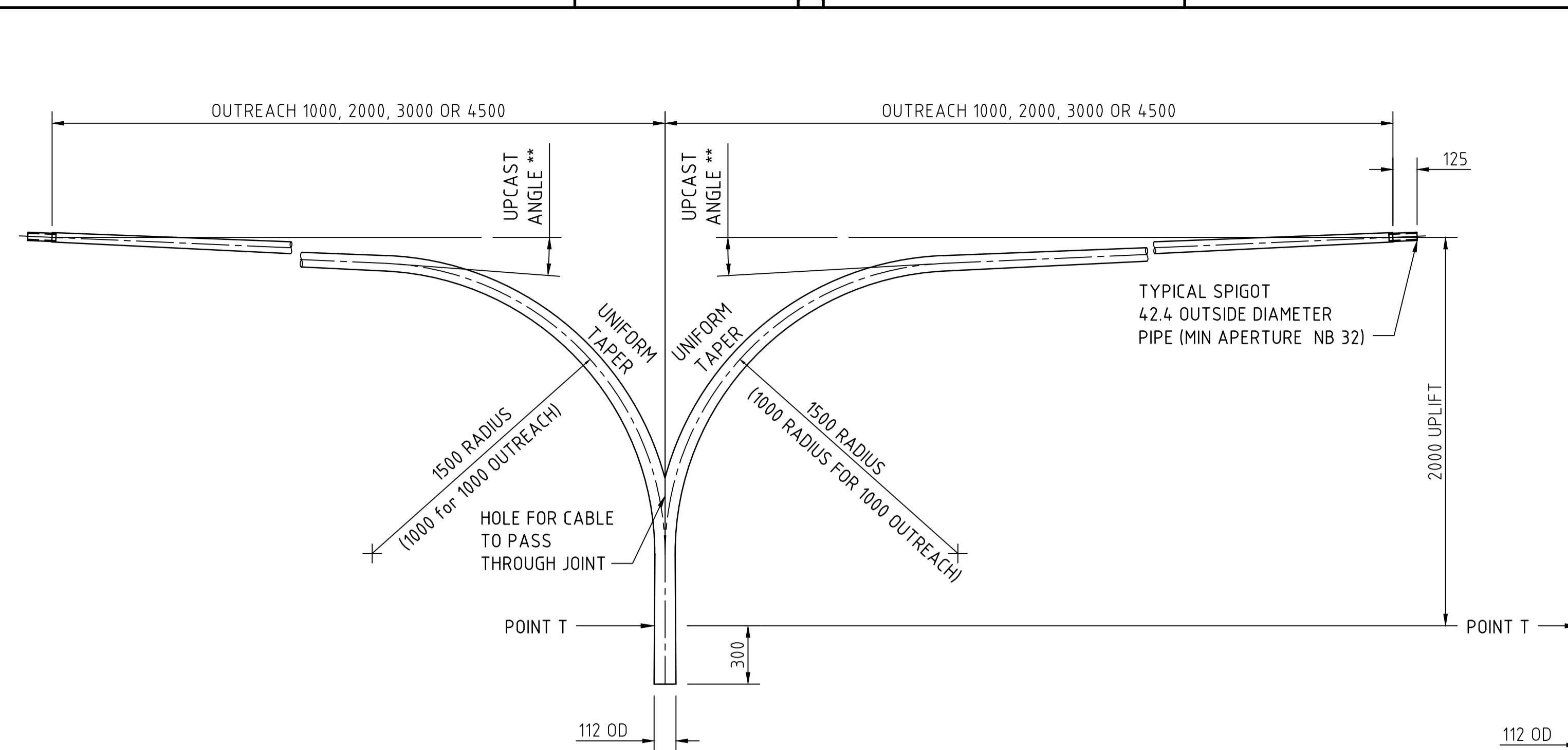
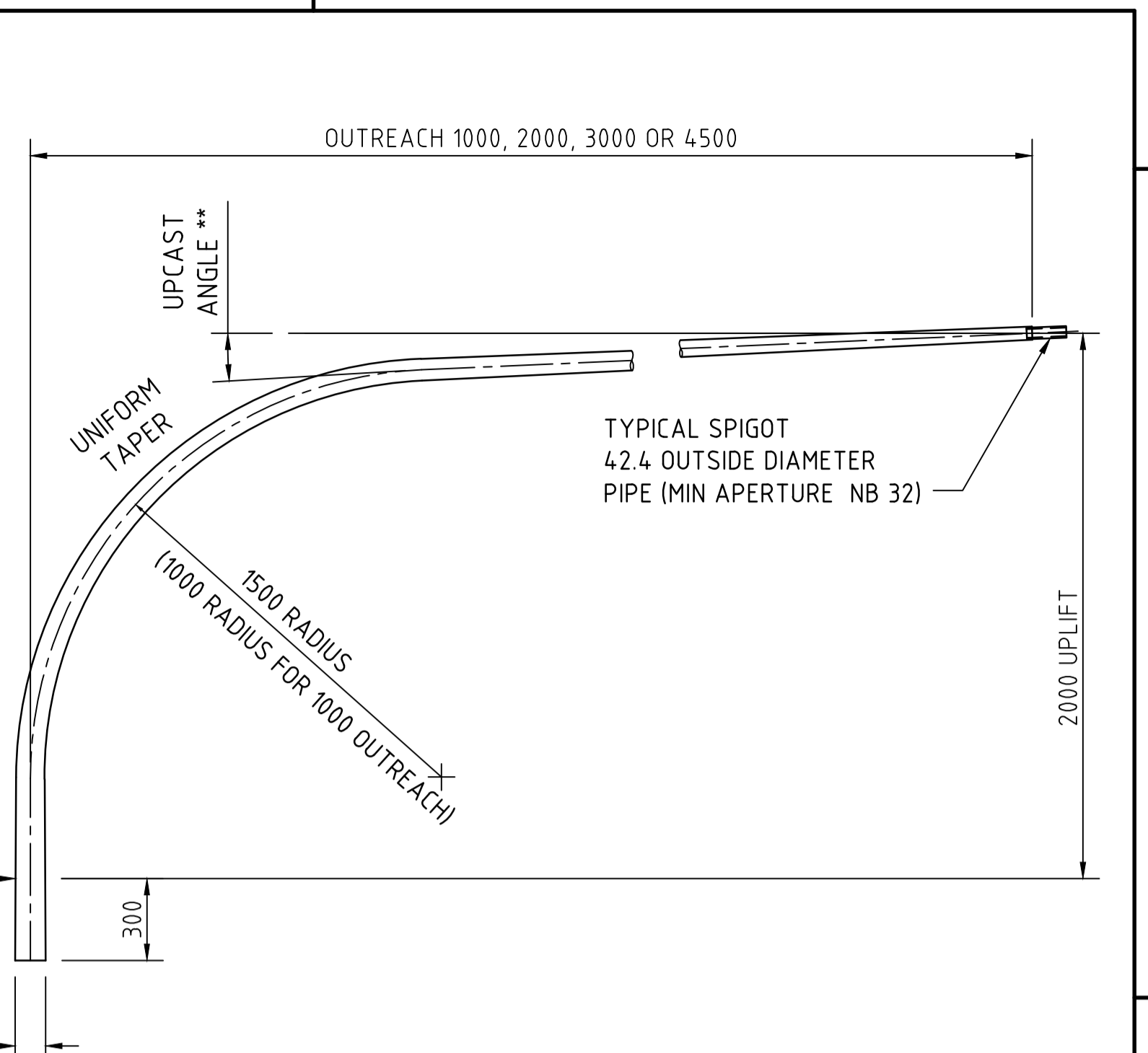


ROAD LIGHTING POLE ELEVATION
(AS DRAWN FOR DOUBLE OUTREACH)
SCALE 1:50

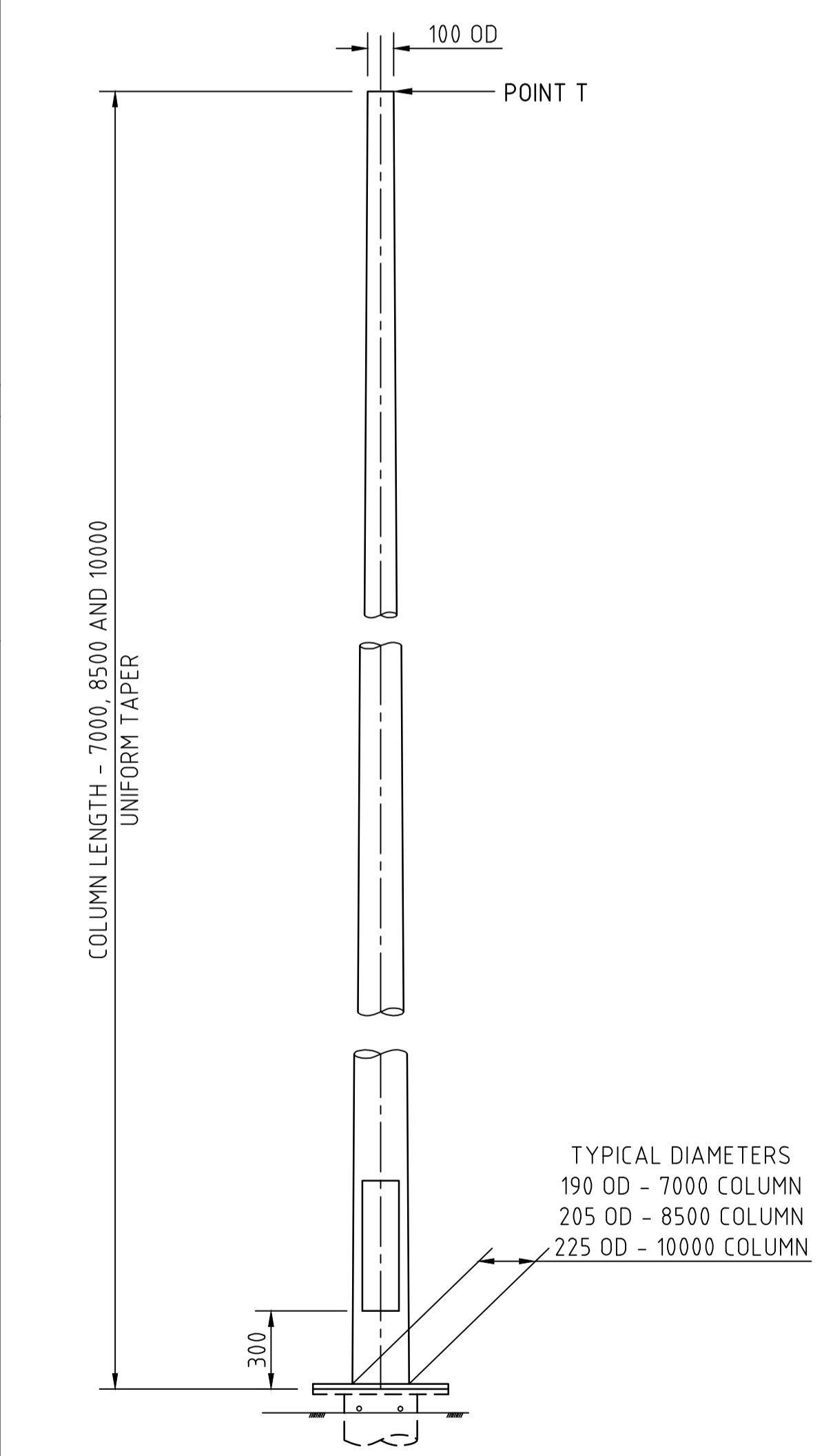


DOUBLE OUTREACH ELEVATION
SCALE 1:20

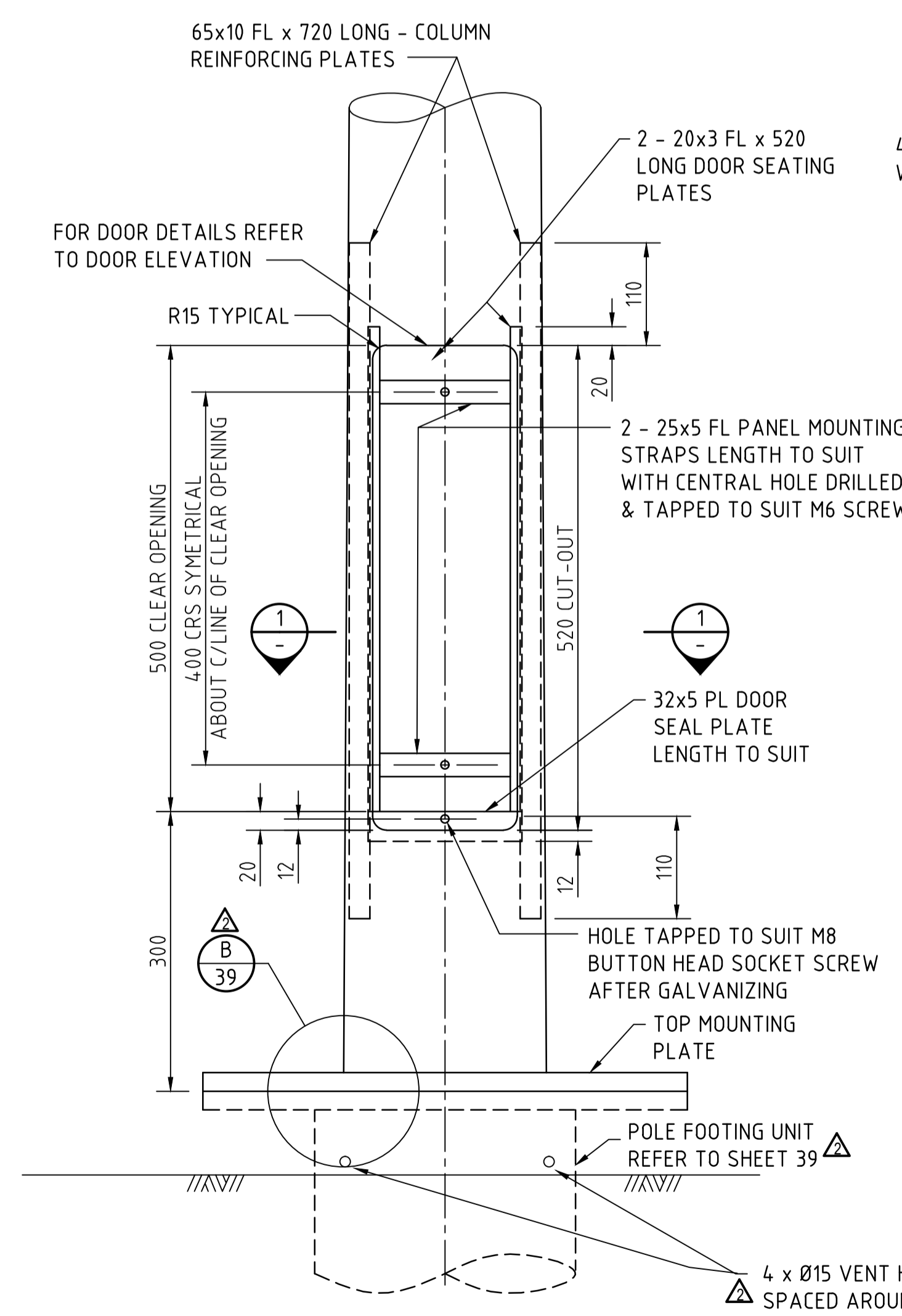


SINGLE OUTREACH ELEVATION
SCALE 1:20

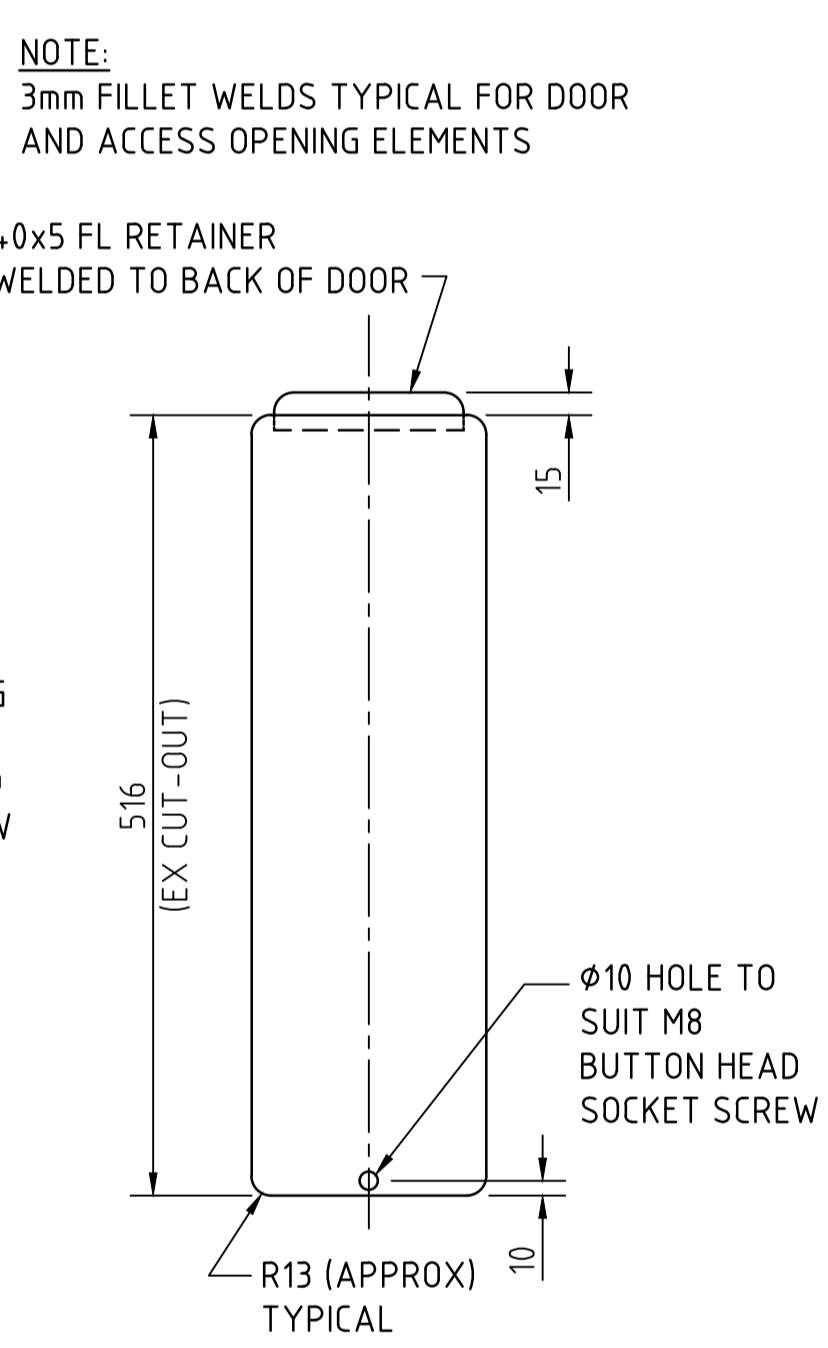
OUTREACH	UPCAST ANGLE **(UNLOADED)	UPCAST ANGLE **(LOADED 16KG)
4500	2.5°	0.0° +1.0°-0°
3000	2.0°	0.0° +1.0°-0°
2000	1.5°	0.0° +1.0°-0°
1000	1.0°	0.0° +1.0°-0°



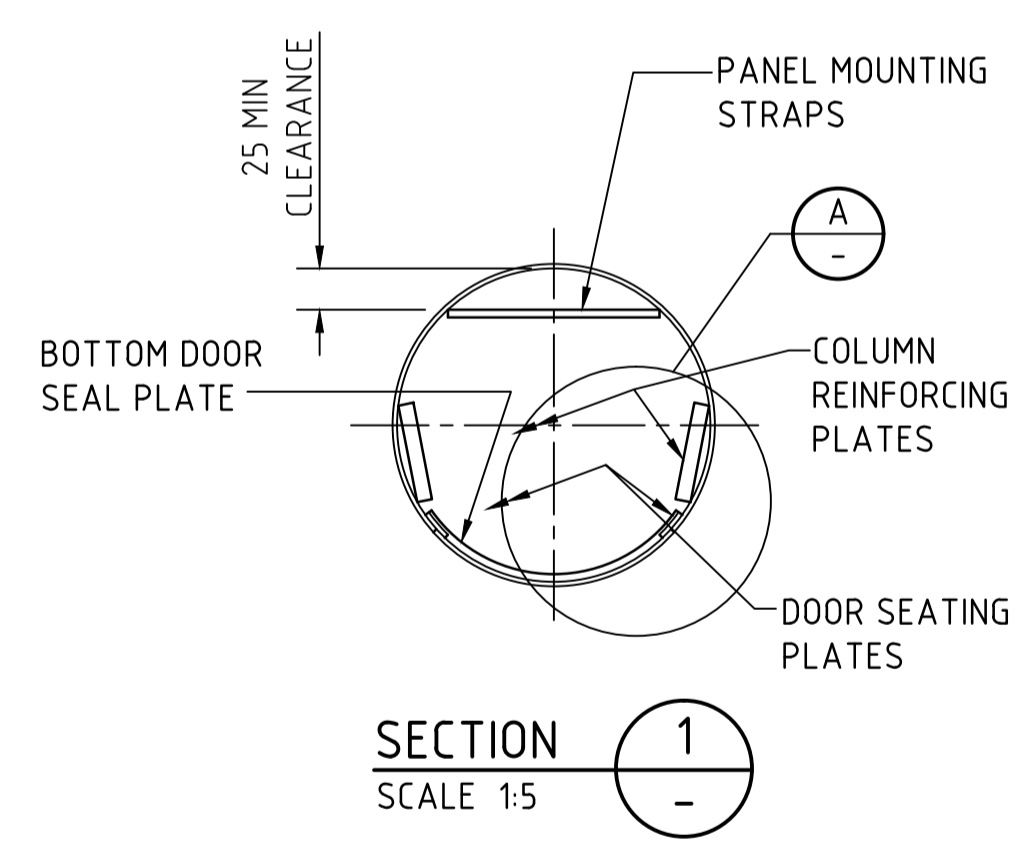
COLUMN ELEVATION
(COLUMN LENGTHS 7000, 8500 AND 10000)
SCALE 1:20



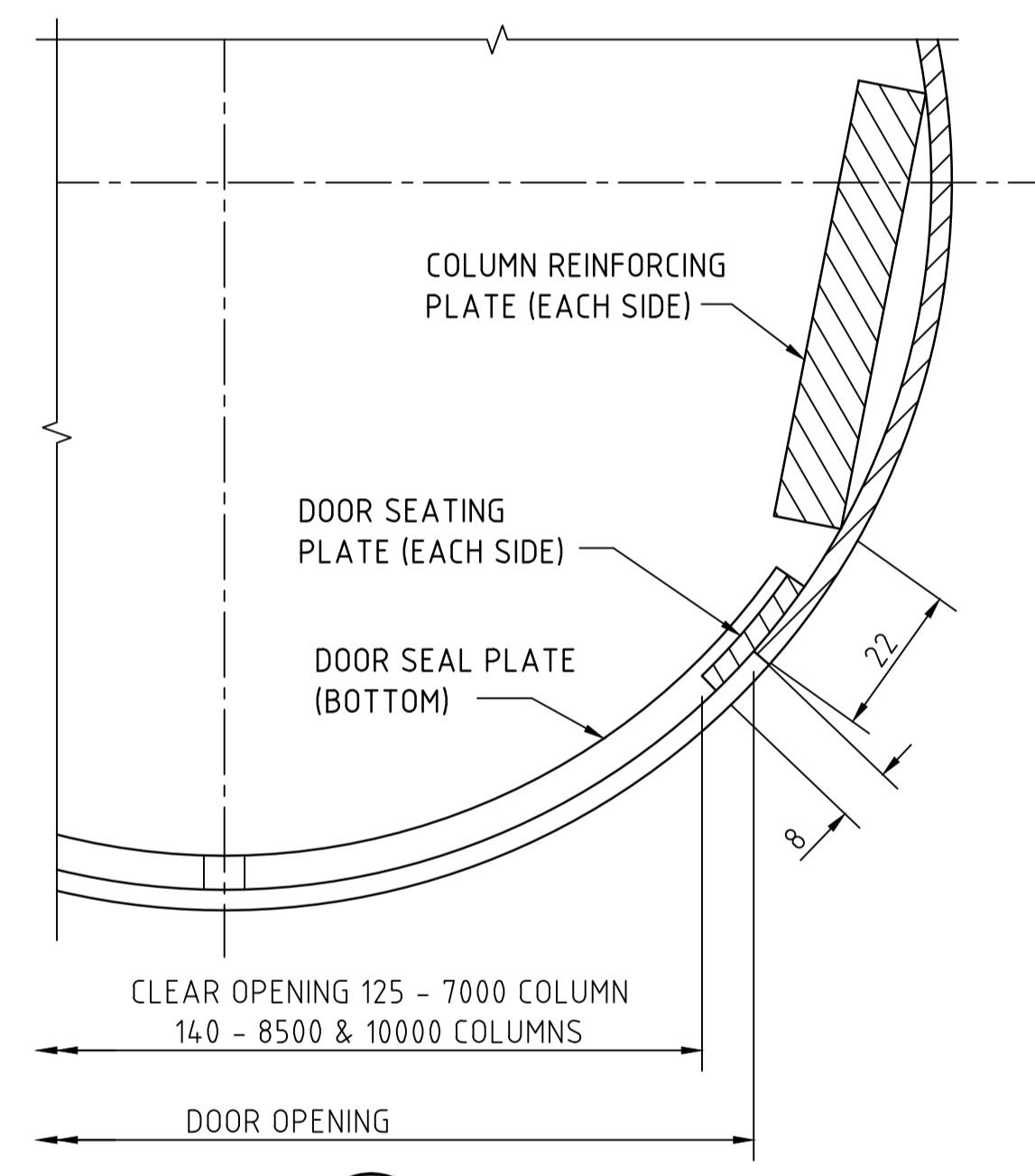
SERVICE ACCESS OPENING DETAIL
SCALE 1:5



DOOR ELEVATION
SCALE 1:5



SECTION 1
SCALE 1:5



DETAIL A
SCALE 1:1

NOTE:
3mm FILLET WELDS TYPICAL FOR DOOR AND ACCESS OPENING ELEMENTS

NOTE:
FOR POSITION OF SERVICE ACCESS OPENING IN RELATION TO OUTREACH REFER TO TOP MOUNTING PLATE PLAN ON SHEET 39.

- NOTES**
- FOR MATERIALS, FABRICATION, TOLERANCES AND PROTECTIVE TREATMENT REFER TO SPECIFICATION.
 - WALL THICKNESS OF COLUMN AND OUTREACH TO BE 3.0mm.

THIS DRAWING SUPERSEDES DRAWING S-4055 SHEET 27

DESCRIPTION	No.	Date	Resp	Authorised	Approved for Exec Director	Date
NOTE AMENDED, DIMENSION ALTERED, VENT HOLES ADDED.	11.12.15	11/12/15	MMMD	P MOLLOY	S. PASCALE	5/4/16
NOTE AMENDED, TITLE CHANGED	26/10/06	26/10/06	AP	P MOLLOY	P D WILSON	27/10/06

100 MILLIMETRES ON ORIGINAL DRAWING

ALL DIMENSIONS ARE IN MILLIMETRES UNLESS SHOWN OTHERWISE

DESIGN	ENDORSED
DESIGN UNIT	R. BURT for Manager Metro Region
DRAWN	
DESIGN UNIT	
CHECKED	APPROVED
A. PYRZAKOWSKI	G.W. CHAPLIN for for Executive Director
EXAMINED	Date: 13-6-2003
A.E. NOBBS	Unit Head
CONSTRUCTED	
ENDORSED	TITLE:
G.W. CHAPLIN for Manager, Structural and Geotech.	Date:

STANDARD DRAWING
LIGHTING
SLIP BASE POLE
COLUMN AND OUTREACH

AMEND 2 SHEET 38 DRG S-4055



STRUCTURAL AND GEOTECHNICAL SECTION