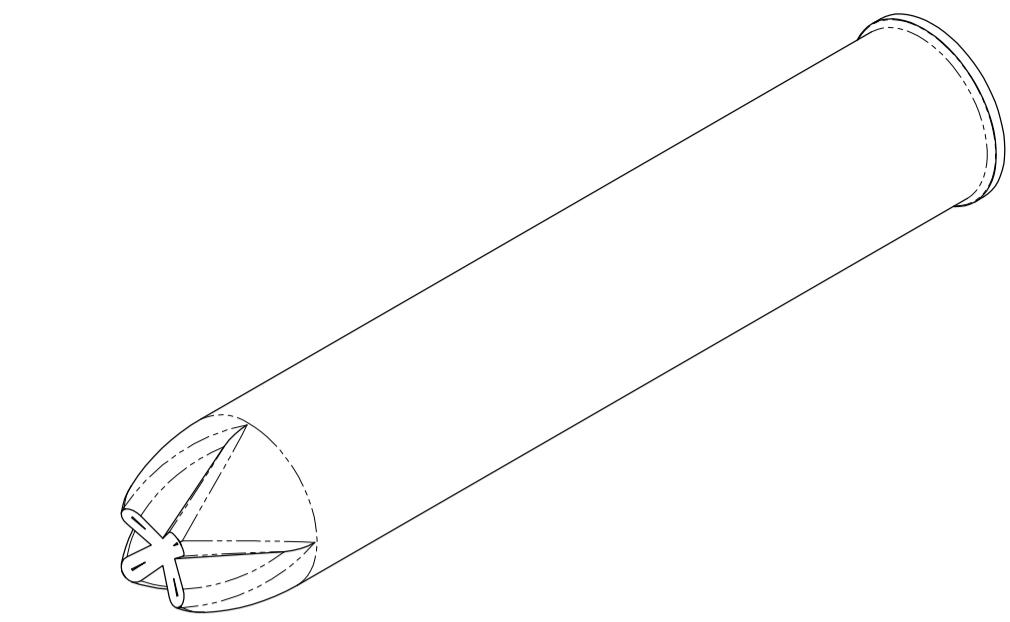
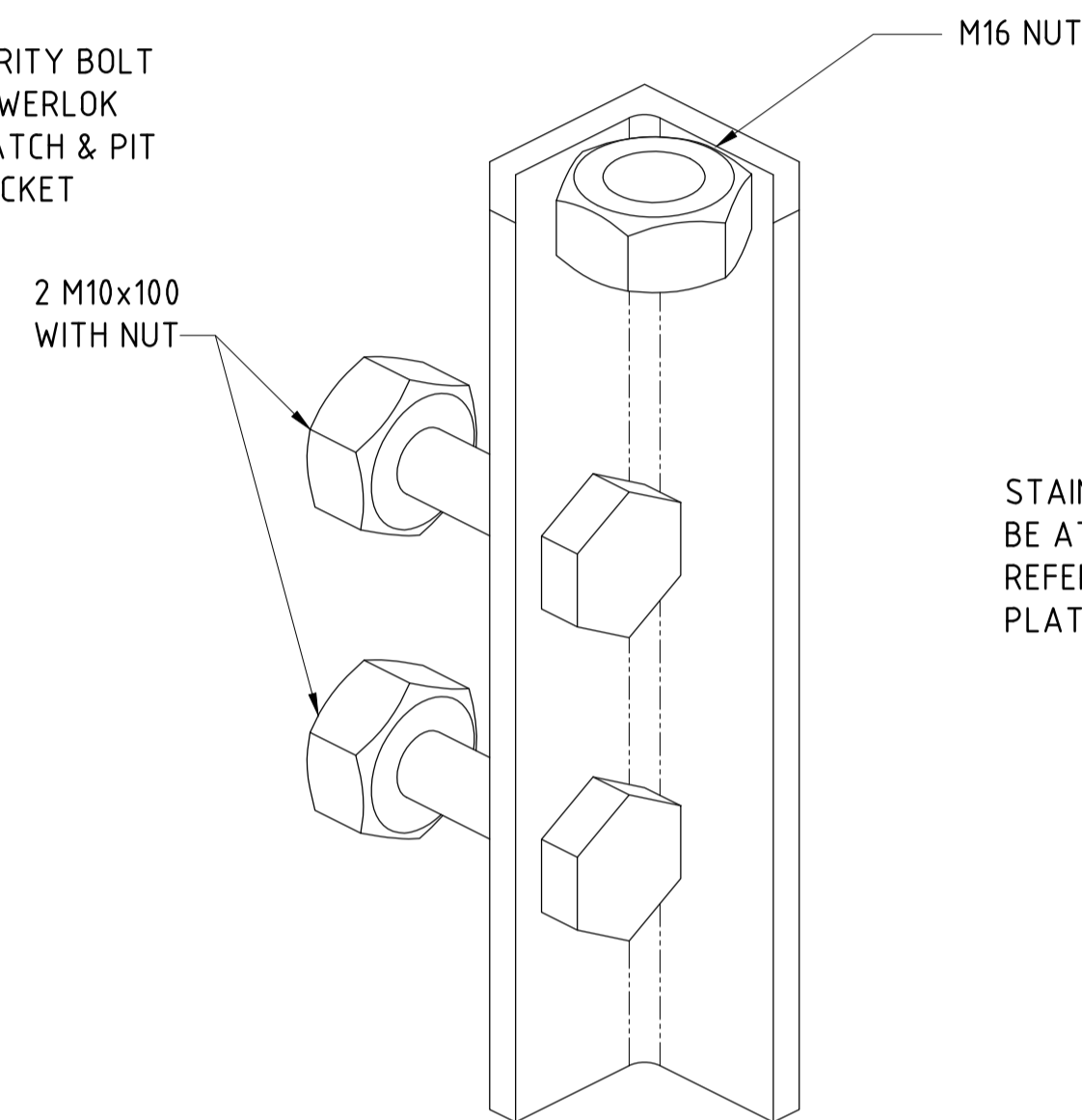


POWERLOK RECESSED HATCH REMOVED FOR CLARITY

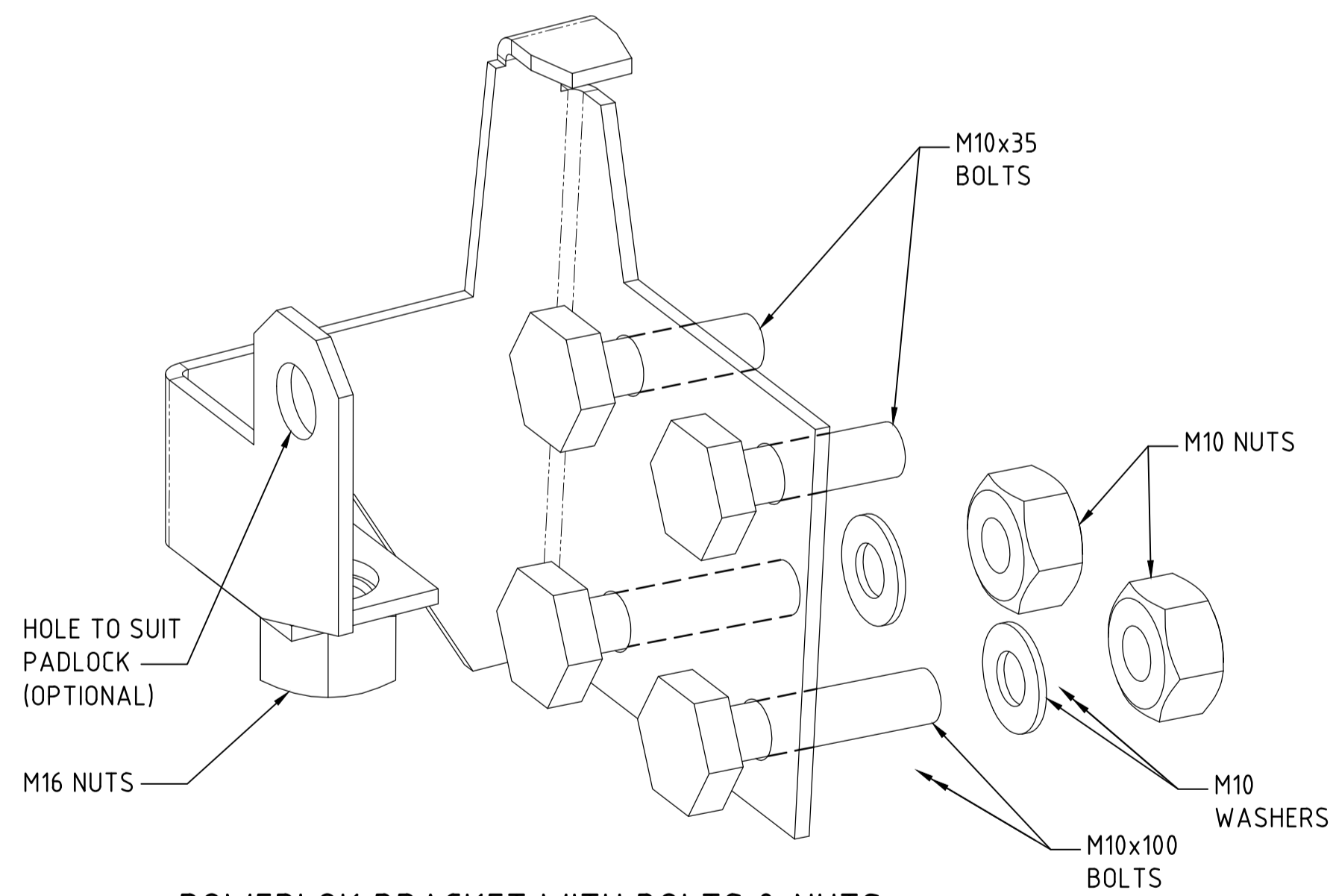
**LOCK BOX ASSEMBLY
PIT TYPE 3, 4 & 5
NOT TO SCALE**



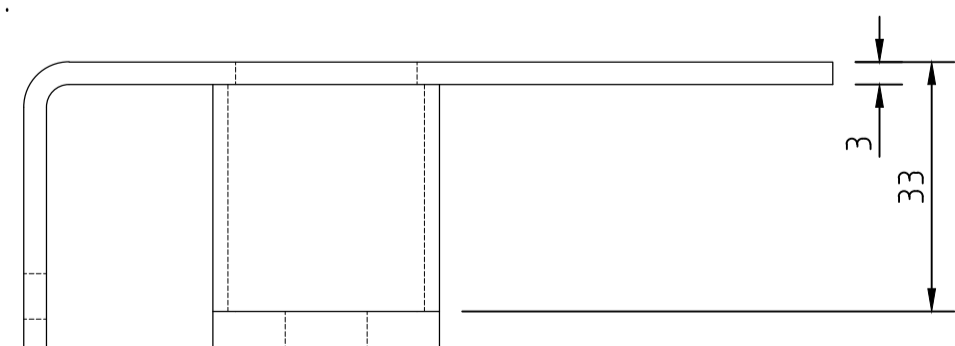
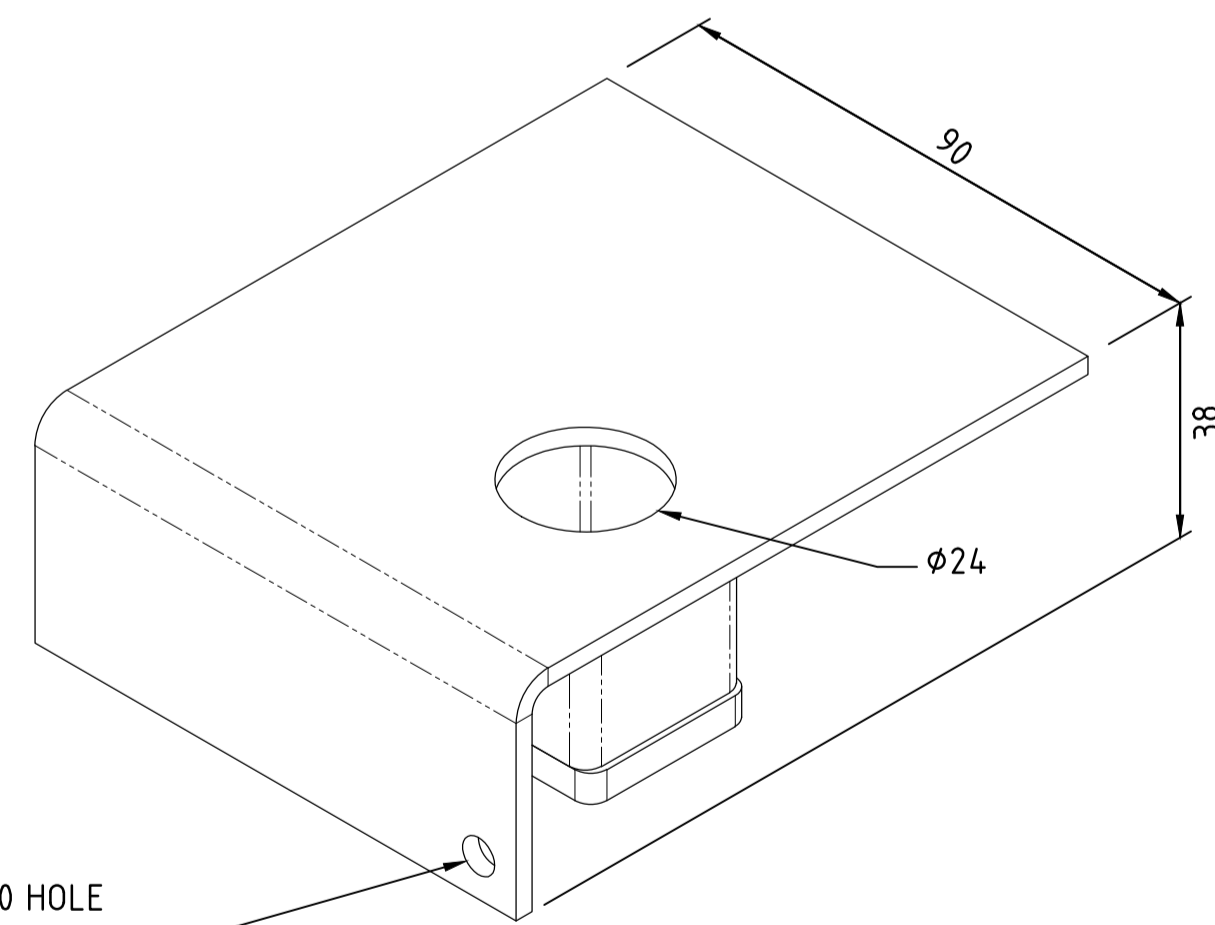
**GALVANISED STEEL
DOG BOLT TUBE FOR PIT TYPE 2, 3, 4 & 5
NOT TO SCALE**



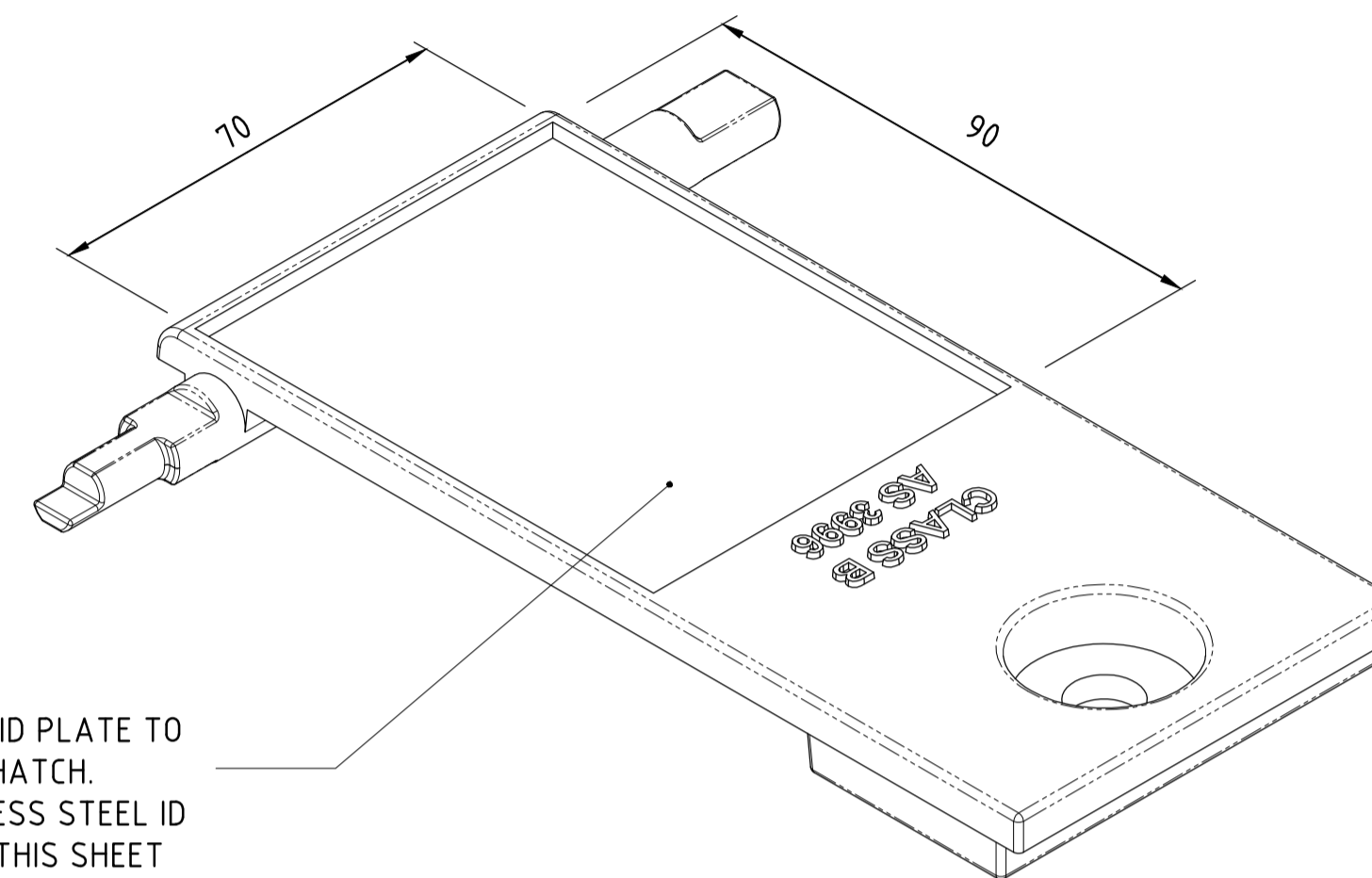
**PIT SECURING BRACKET
FOR PIT TYPE 2, 3, 4, 5 & 6
NOT TO SCALE**



**POWERLOK BRACKET WITH BOLTS & NUTS
FOR PIT TYPE 3, 4, 5 & 6
NOT TO SCALE**



**SECURITY BOLT AND PADLOCK
SECURITY SHROUD FOR PIT TYPE 3, 4, 5 & 6
NOT TO SCALE**



**POWERLOK RECESSED
HATCH FOR PIT TYPE 3, 4, 5 & 6
NOT TO SCALE**

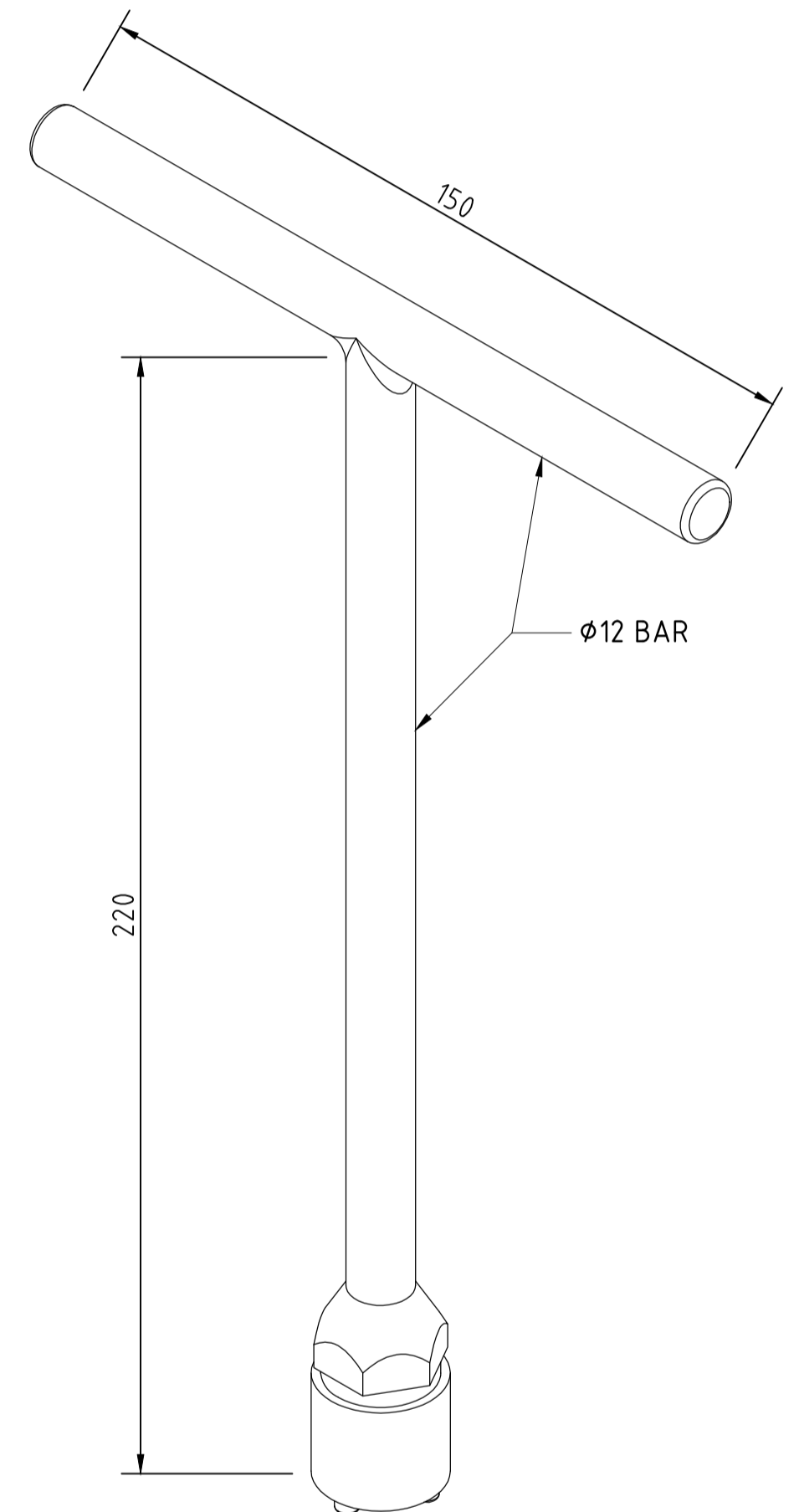
* TO BE SUPPLIED BY DPTI.
CONTRACTOR TO SUPPLY EQUIVALENT D-BOLTS Δ



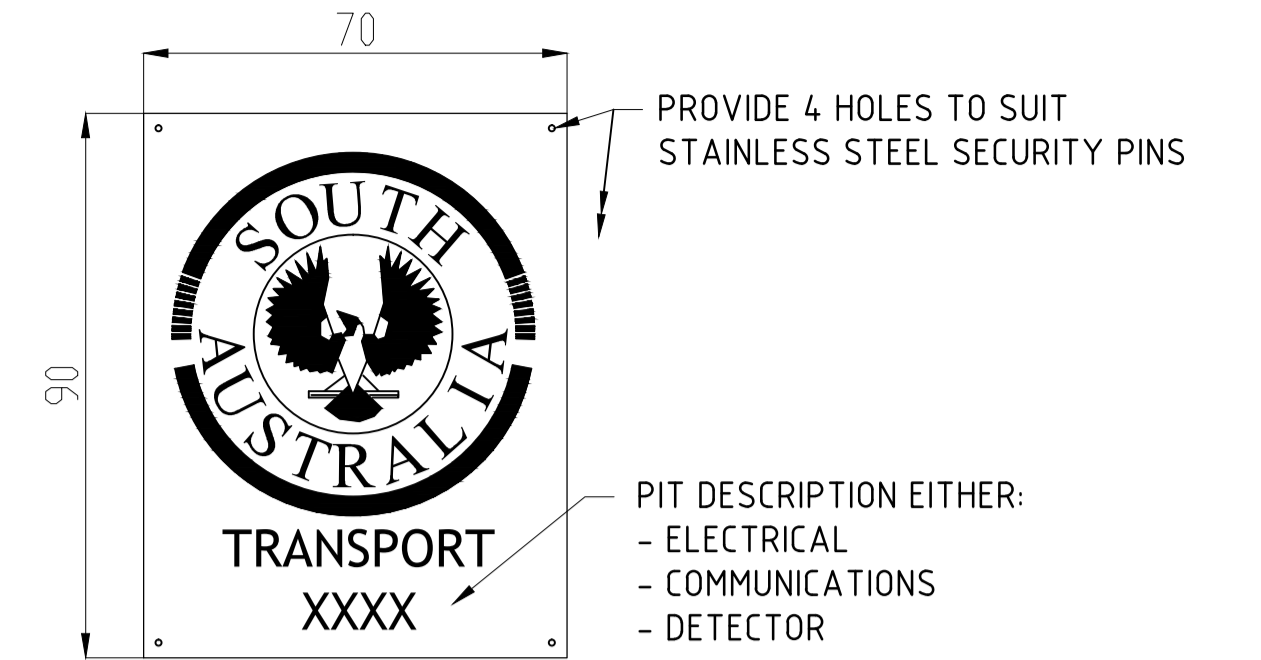
* M16x45 SECURITY BOLT FOR PIT TYPE 2
NOT TO SCALE

* M10x30 SECURITY BOLT FOR PIT TYPE 3, 4, 5 & 6
NOT TO SCALE

* M16x70 SECURITY BOLT FOR PIT TYPE 3, 4, 5 & 6
NOT TO SCALE



DPTI KEY SPANNER FOR SECURITY BOLT.
NOT TO SCALE



**STAINLESS STEEL ID PLATE FOR STEEL LIDS
(GRADE 316, 2B FINISH, 0.9mm ACID ETCHED) TO
BE ATTACHED TO LID/HATCH WITH STAINLESS
STEEL SECURITY PINS
NOT TO SCALE**

NOTES

GENERAL

1. ALL BOLTS INCLUDING SECURITY BOLTS TO BE STEEL GRADE 4.6, UNLESS OTHERWISE SHOWN ON THIS SHEET
2. ALL STEEL LIDS & COMPONENTS (UNLESS STAINLESS STEEL) SHALL BE HOT DIPP GALVANISED AFTER FABRICATION IN ACCORDANCE WITH AS/NZS 4680 & AS 1214 (BOLTS AND NUTS)
3. ALL NUTS FOR HOT DIPPED GALVANISING TO BE TAPPED OVERSIZE TO SUIT GALVANISING.
4. LID CLASS TO BE PERMANENTLY LABELLED ON THE UNDERSIDE OF THE LID.

Government of South Australia
Department of Planning, Transport and Infrastructure

STANDARD DRAWING
ELECTRICAL ASSETS
ELECTRICAL SERVICES AND COMMUNICATION
SECURE & LOCKABLE STEEL LID COMPONENTS

DESIGNED: AP	DRAFTED: MD	ACCEPTED FOR USE: PHIL MOLLOY	ACCEPTANCE FORM KNET No.: 9973285	DRAWING No.: S - 4055	SHEET No.: 70	AMEND No.: 1
CHECKED: AP	REVIEWED: PM	MGR, ENGINEERING SERVICES DATE: 01/12/2015		LATITUDE: N/A	LONGITUDE: N/A	

THIS SHEET SUPERSEDES SHEETS 59 TO 62

No.	AMENDMENT DESCRIPTION	BY	CHECK	ACCEPTANCE	DATE