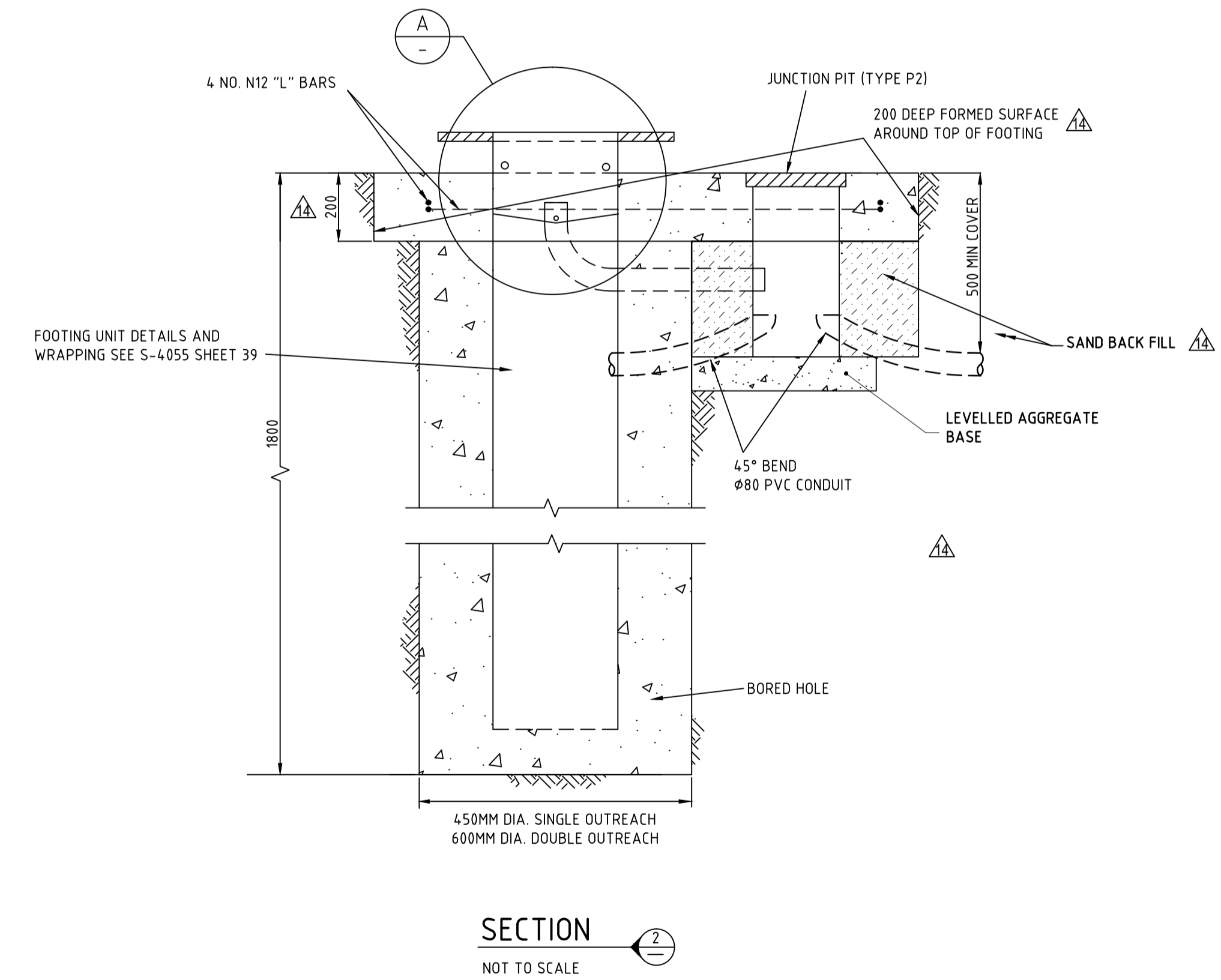
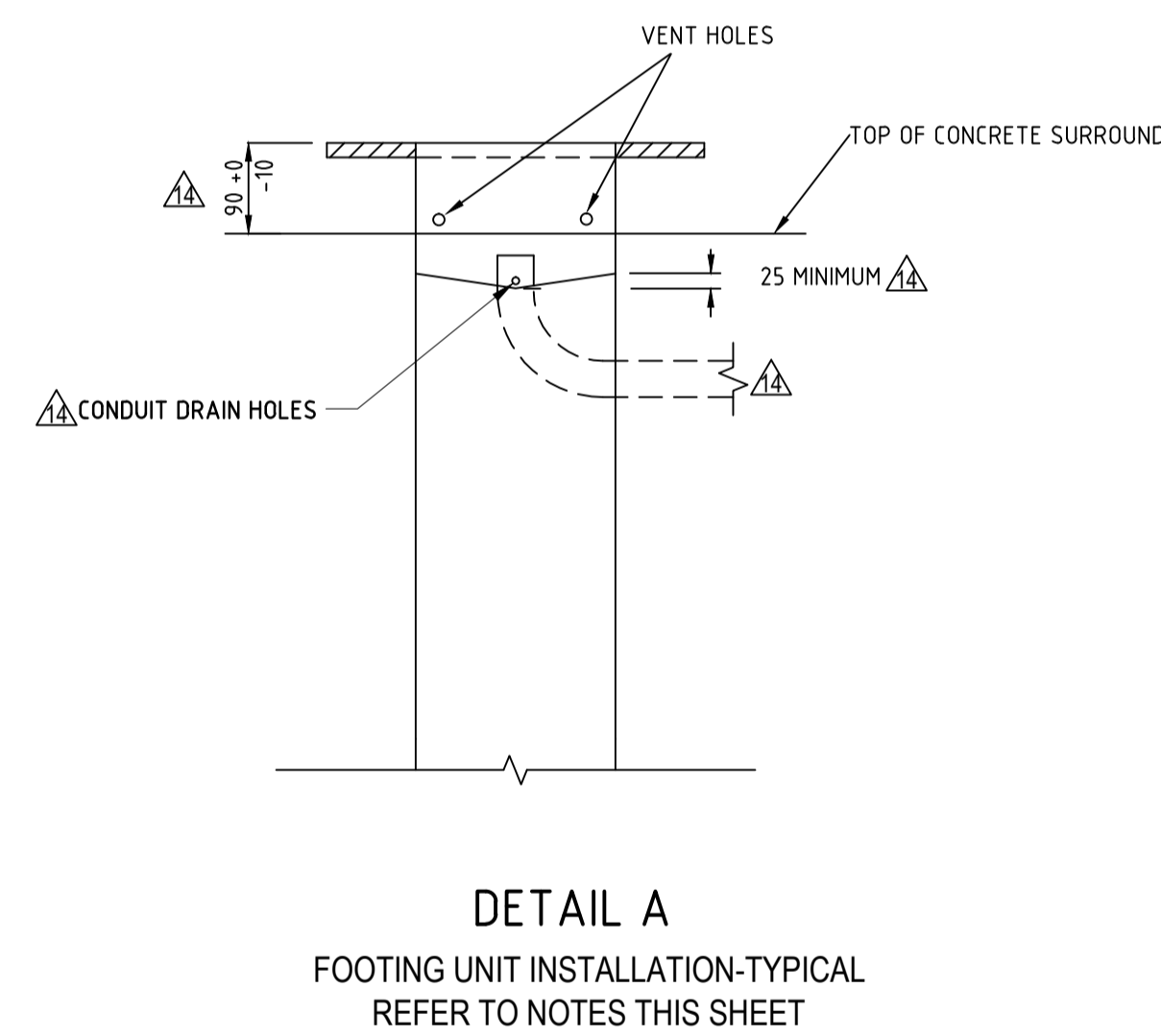
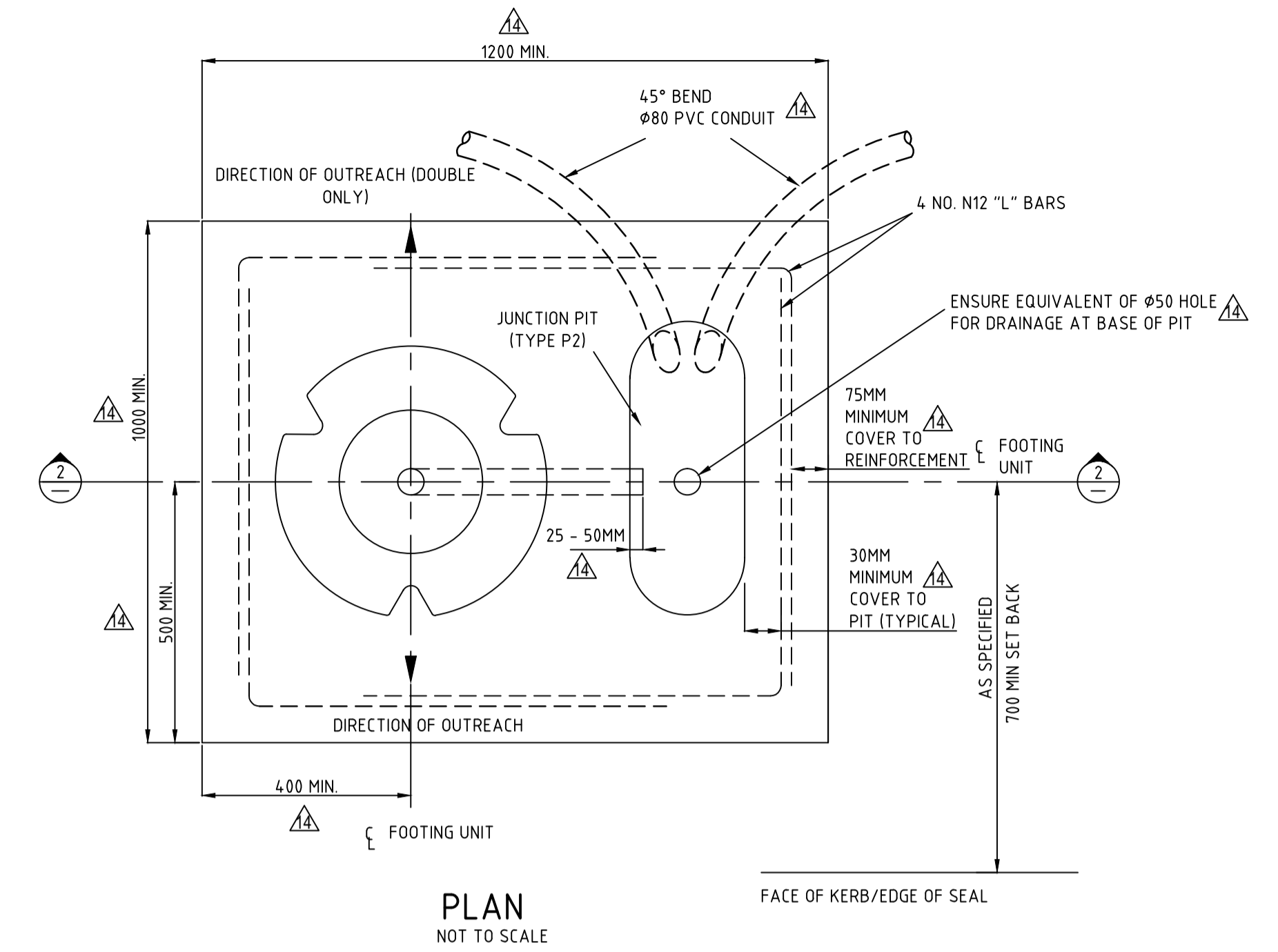
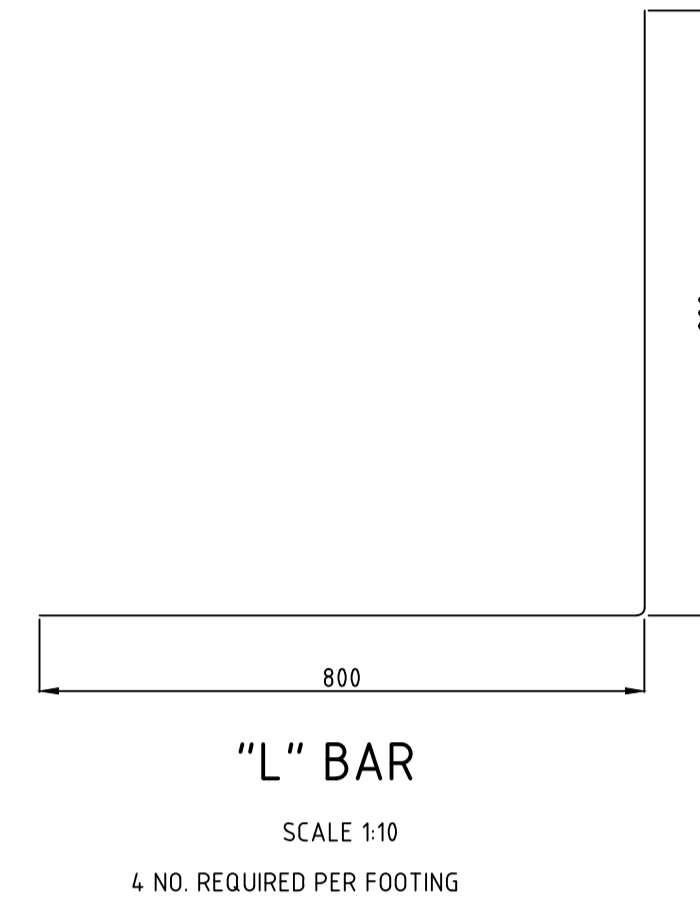


NOTES:

1. THESE FOOTINGS ARE SUITABLE FOR MOUNTING HEIGHTS UP TO 12M AND SINGLE OR DOUBLE OUTREACHES UP TO 4.5M.
2. LUMINAIRE WIND AREA 0.2M².
3. CONCRETE TO BE GRADE N32.
4. REINFORCEMENT BARS SHALL BE D500N IN ACCORDANCE WITH AS/NZS 4671. STANDARD HOOKS AND BENDS SHALL BE IN ACCORDANCE WITH AS 3600. MIN. COVER SHALL BE 75MM UNLESS OTHERWISE SHOWN.
5. CONCRETE SURROUND SHALL BE FINISHED BELOW THE VENT HOLES IN THE SLIP BASE FOOTINGS UNIT. CONCRETE INSIDE FOOTING UNIT TO BE DISHED DOWN BY NOMINAL 25MM TO THE BOTTOM OF CONDUIT DRAIN HOLES AND BE OF SMOOTH FINISH. CONCRETE SURROUND NOT TO BE COVERED BY BACK FILL.
6. REFER TO DPTI STANDARD DRAWINGS FOR PIT INSTALLATION.
7. ALL DIMENSIONS SHOWN IN MM.



NO.	DESCRIPTION	DATE	RESP	AUTHORISED	TCD AMENDTS APPROVED FOR C OF H	DATE	TECH. DETAILS APPROVED FOR C OF H	CONSTRUCTED DATE
13	NOTE 5 ADDED. DIMENSIONS ALTERED. CONCRETE & REINFORCEMENT NOTE AMENDED.	27.11.15	LMMD	P. MOLLOY		5/4/16	S. PASCALE	
12	DRAWING REFERENCE CORRECTED. DETAIL A DEFINED.	30.4.08	AP	P. MOLLOY		05.05.08	P. WILSON	
11	FORMED JUNCTION PIT DETAIL REMOVED. JUNCTION PIT P2 ADDED.	28.8.07	AP	P. MOLLOY		29.8.07	P. WILSON	
10	BASE ORIENTATION CHANGED	18.10.04	LM	W. LEACH		12.11.04	R. BURT	
9	DETAIL A ADDED	20.8.03	C.E.	R. J.B.			R. J.BASSETT 20.8.03	
8	DRAWING REDRAWN IN DIFFERENT FORMAT	3.09.01	C.E.	R. J.B.			R. J.BASSETT 3.09.01	
7	DIMENSION 125MM ALTERED TO CENTRE OF FOOTING UNIT	23.01.01	C.E.	R. J.B.			R. J.BASSETT 23.01.01	
6	DIMENSION CHANGED	9.1.95	R.D.	R. J.B.			R. J.BASSETT 1.2.95	
5	NOTE ADDED	4.8.93	A.P.					
4	JUNCTION PIT DRAINAGE HOLE AND NOTE ADDED	4.8.93	A.P.	V. NECHVOGLOD 6.8.93			G. BILLINGHURST 9.8.93	
3	COVER ADDED	4.8.93	A.P.					
2	DIMENSIONS ADDED	4.8.93	A.P.					
1	BAR SHAPE AND NUMBER REQUIRED CHANGED	4.8.93	A.P.					

100 MILLIMETRES ON ORIGINAL DRAWING

INDEX/LAYOUT	FILE NAME : PILED FOOTING SIDE JUNCTION PIT_D4055S21.DWG
GEOM. LAYOUT	DIRECTORY : H:\UNIDATA\STANDARD\
SURFACE LEVELS	
LONG. SECTION	
CROSS SECTIONS	
DRAINAGE	
SERVICES	
SURVEY MARKS	
MED. IS. S/PRS.	
PLNET. MARKING	
SIGNS	
LIGHTING	
T. CONTROL LAYOUT	
T. CONTROL INST.	
T/SECTION - JUNC.	
TRAFFIC SIGNS	
P.A.C./S. KING.	
DUCT LOCATION	
TREE REMOVAL	
REG. SURVEY	
LANDSCAPE	

THIS PLAN SUPERSEDES DRAWING S-4055 SHEET 9

CONSTRUCTED DATE	DESIGN
	DRAWN T.J.C. 30.9.91
	CHECKED J.T.
	APPROVED V.NECHVOGLOD FOR COMM. OF HIGHWAYS DATE 6.11.91

DESIGN		G. WOOLDRIDGE SUPERVISING TECHNICAL OFFICER	
CHECKED		D. FITZSIMONS MANAGER REGIONAL SERVICES	
PROJECT START : PRP.		PROJECT END : PRP.	
PROJECT NO	SURVEY	FILE	AMEND SHEET
			21
DRG			S-4055

LD 102



TRANSPORT SA

STANDARD DRAWING

LIGHTING

PILED FOOTING - SIDE JUNCTION PIT