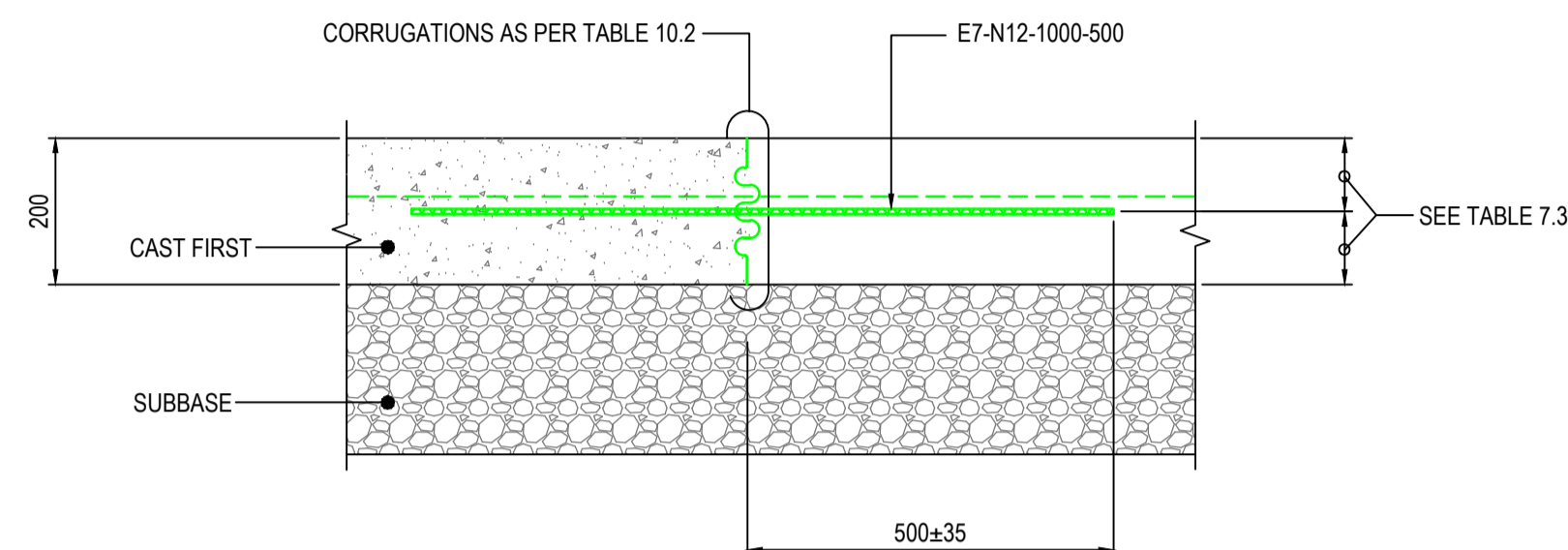
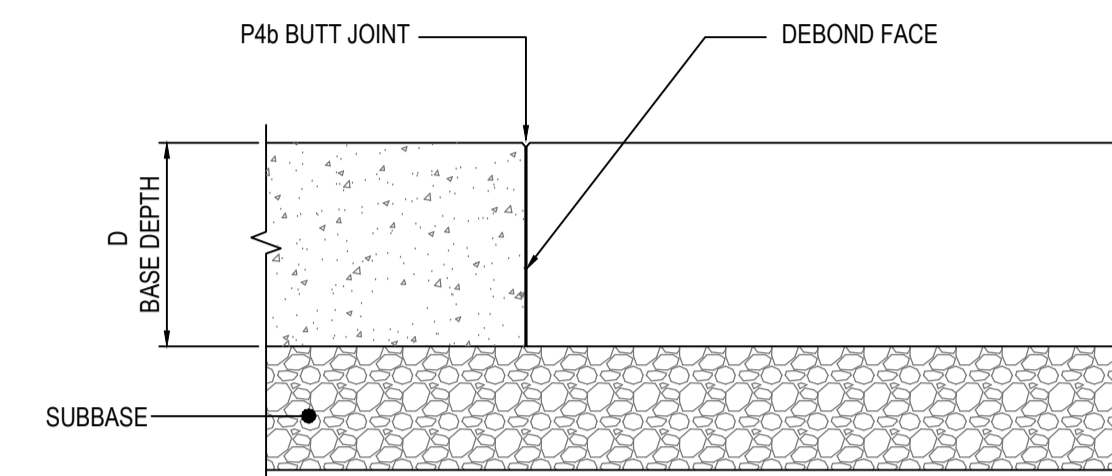


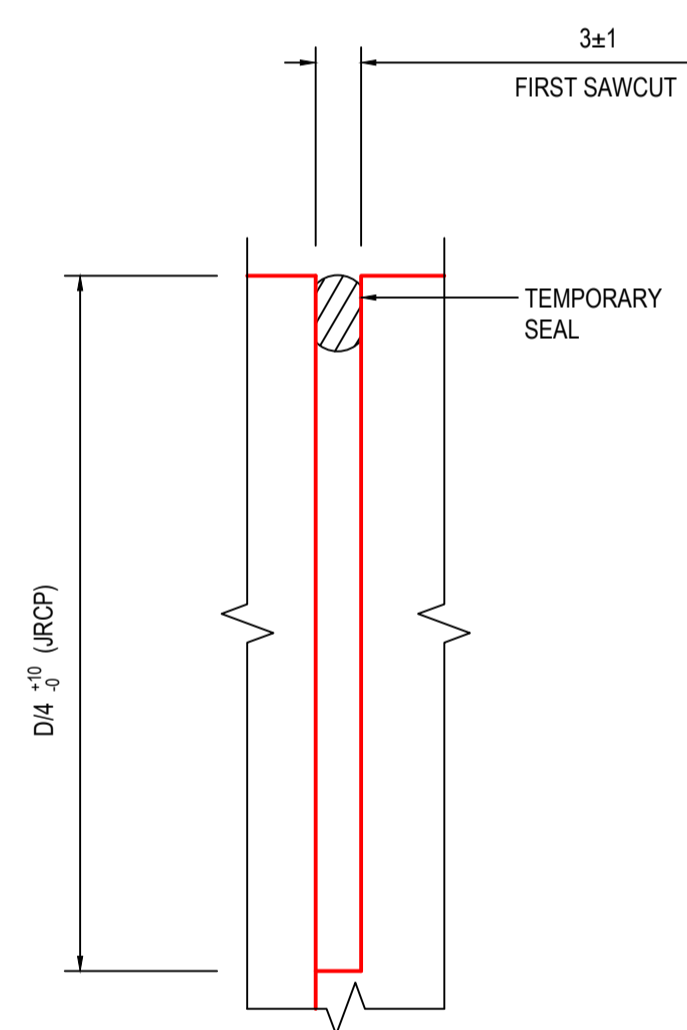
JOINT TYPE (P8)
PCP-R TRANVERSE CONSTRUCTION/SAWN



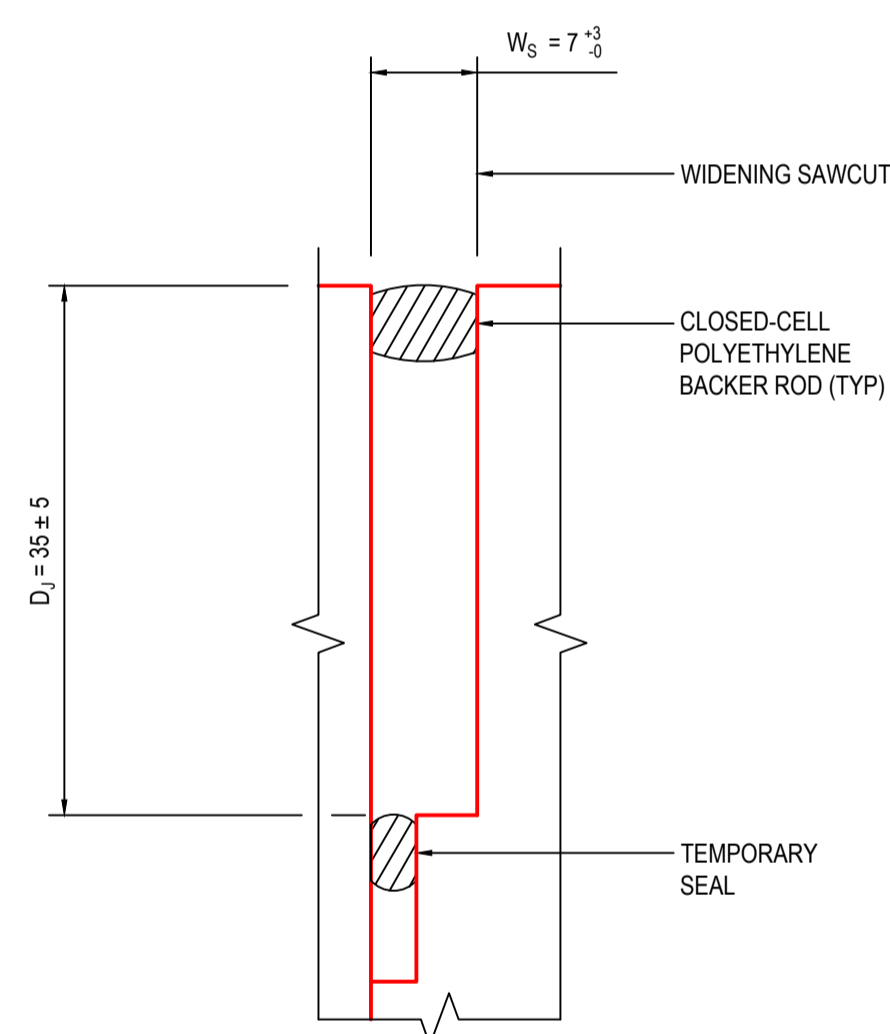
JOINT TYPE (P7)
PCP-R TIED
TRANSVERSE CONSTRUCTION: FORMED AND TIED
(AT START AND STOP OF DAILY PAVING OPERATIONS)



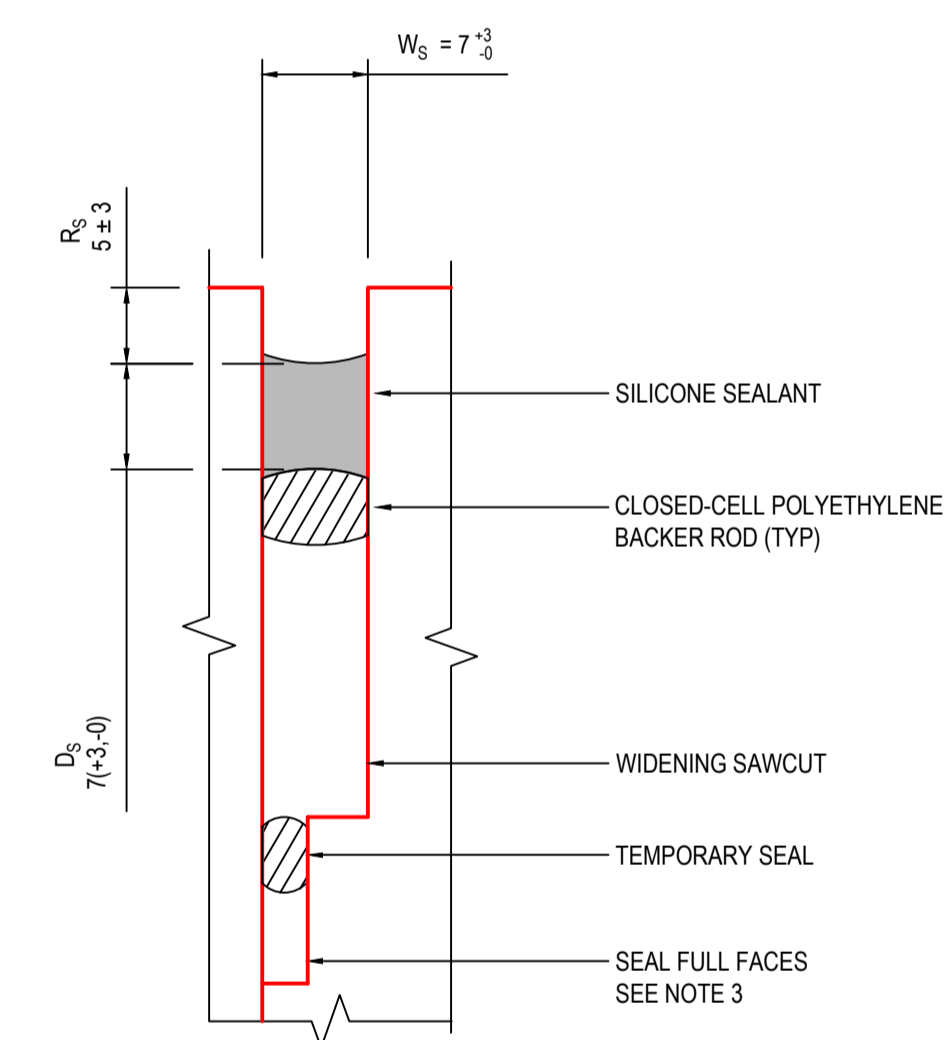
JOINT TYPE (P4b)
LONGITUDINAL: UNTIED AND FORMED



DETAIL (D1)
PRELIMINARY SEALING



DETAIL (D2)
TEMPORARY SEALING
DEVELOPMENT OF SAWCUT AND
SILICONE SEAL JOINT



DETAIL (D3)
PERMANENT SEALING

- NOTES**
- REFER TO TYPICAL NOTES & TABLES STANDARD DRAWING 4521 SHEET 0003.

INDEX SHEET REFERENCE: N/A SHEET N/A



PROJECT No.:	FILE No.:
DESIGN No.:	SURVEY No.:
PROJECT START ROAD RUNNING DISTANCE:	
PROJECT END ROAD RUNNING DISTANCE:	
SCALES: NOT TO SCALE	

**STANDARD DRAWING
CONCRETE ROUNDABOUT
JOINT DETAILS**

SHEET 2 OF 3

DESIGNED:	DRAFTED:	ACCEPTED FOR USE:	ACCEPTANCE FORM KNET No.:	DRAWING No.:	SHEET No.:	AMEND No.:
CHECKED:	CHECKED:	MITCHELL ALLEN TITLE: PRINCIPAL PAVEMENT ENGINEER DATE: 03.10.2025	23858155	S-4521	2	
IN ACCORDANCE WITH DP013			SHEET LATITUDE	SHEET LONGITUDE		

No.	AMENDMENT DESCRIPTION	BY	CHECK	ACCEPTANCE	DATE	UNCONTROLLED COPY WHEN PRINTED	100 MILLIMETRES ON ORIGINAL DRAWING	ALL DIMENSIONS ARE IN METRES UNLESS SHOWN OTHERWISE
-----	-----------------------	----	-------	------------	------	--------------------------------	-------------------------------------	---

CAD FILE NAME: 4521 SHEET 0002-AND 0.DWG