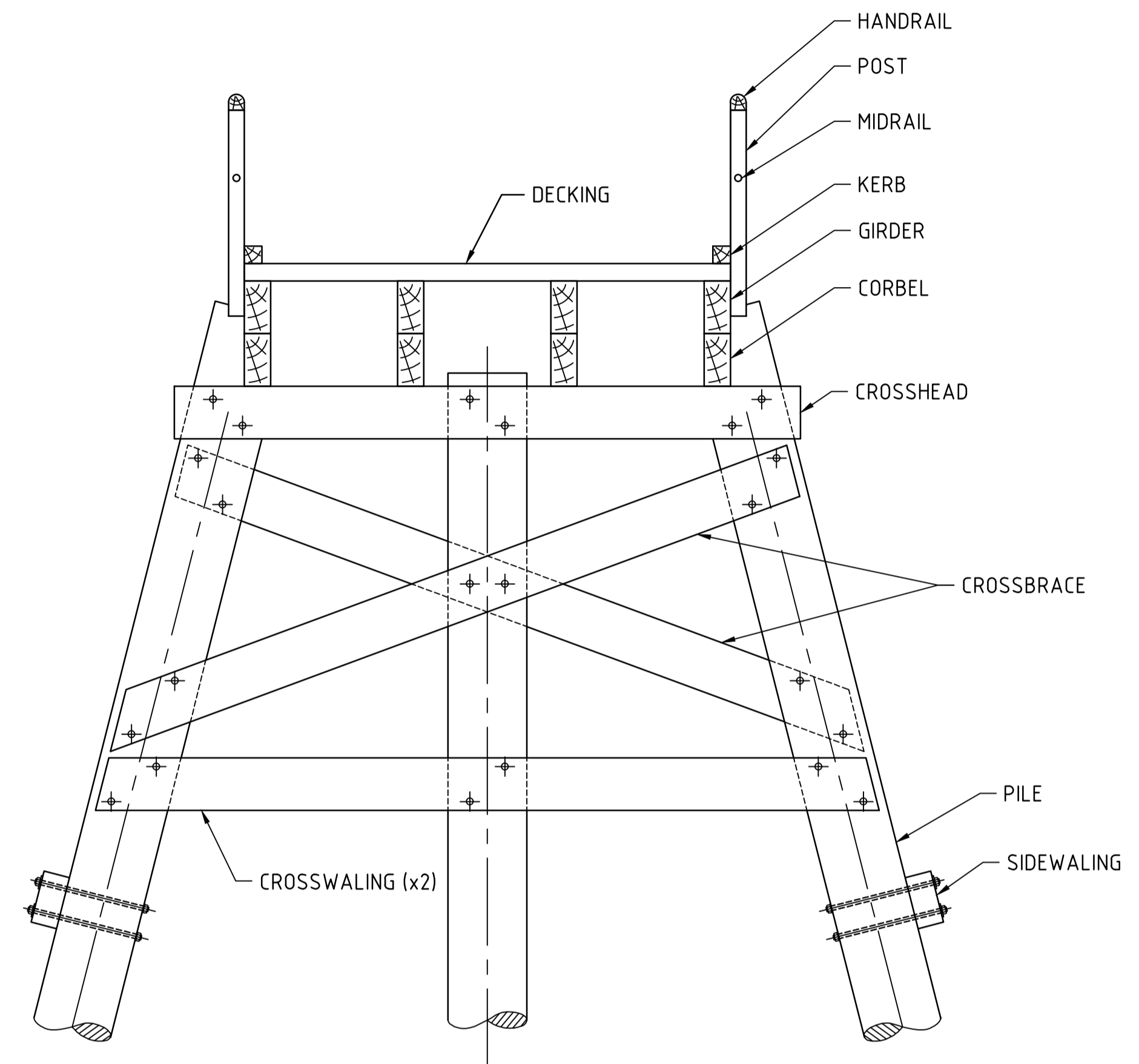


NOTE: HANDRAILS NOT SHOWN

TYPICAL GENERAL ARRANGEMENT OF JETTY CONSTRUCTION
NTS



TYPICAL JETTY CROSS-SECTION
NTS

NOTE: THIS IS A TYPICAL GENERAL ARRANGEMENT DRAWING FOR INFORMATION ONLY AND SHOULD NOT BE USED FOR CONSTRUCTION PURPOSES.



DESIGNED	WGA
QUALIFICATION	
DATE:	
REVIEWER	DIT
QUALIFICATION	
DATE:	
INDEPENDENT DESIGN CERTIFIER (IF REQUIRED)	
QUALIFICATION	
DATE:	


Government of South Australia
 Department for Infrastructure and Transport

STANDARD DRAWINGS		JETTY CONSTRUCTION	
TYPICAL JETTY ARRANGEMENT			
DESIGNED:	DRAFTED:	ACCEPTED FOR USE:	ACCEPTANCE FORM KNET No.:
WGA	WGA	L.MASE	
CHECKED:	REVIEWED:	DATE:	DRAWING No.:
AJO	DIT	22/09/2023	S-6997
LATITUDE:		LONGITUDE:	
SHEET No.:		AMEND No.:	
6		2	

**PRELIMINARY DRAWING
NOT FOR CONSTRUCTION**

No.	AMENDMENT DESCRIPTION	BY	CHECK	ACCEPTANCE	DATE
2	ISSUED FOR USE	WGA	WGA	L.MASE	22.09.23
1	PRELIMINARY ISSUE	WGA	WGA		17.03.23

100 MILLIMETRES ON ORIGINAL A1 DRAWING

ALL DIMENSIONS ARE IN MILLIMETRES UNLESS SHOWN OTHERWISE

UNCONTROLLED COPY WHEN PRINTED